

Treats atmosphere, contents and structure simultaneously... in areas up to 200,000 cu. ft.!

Portable Industrial Odor Controller



Locking cover latches

Blower motor cover assembly

Removable wire rack for membrane installation

Industrial Membrane (sold separately)

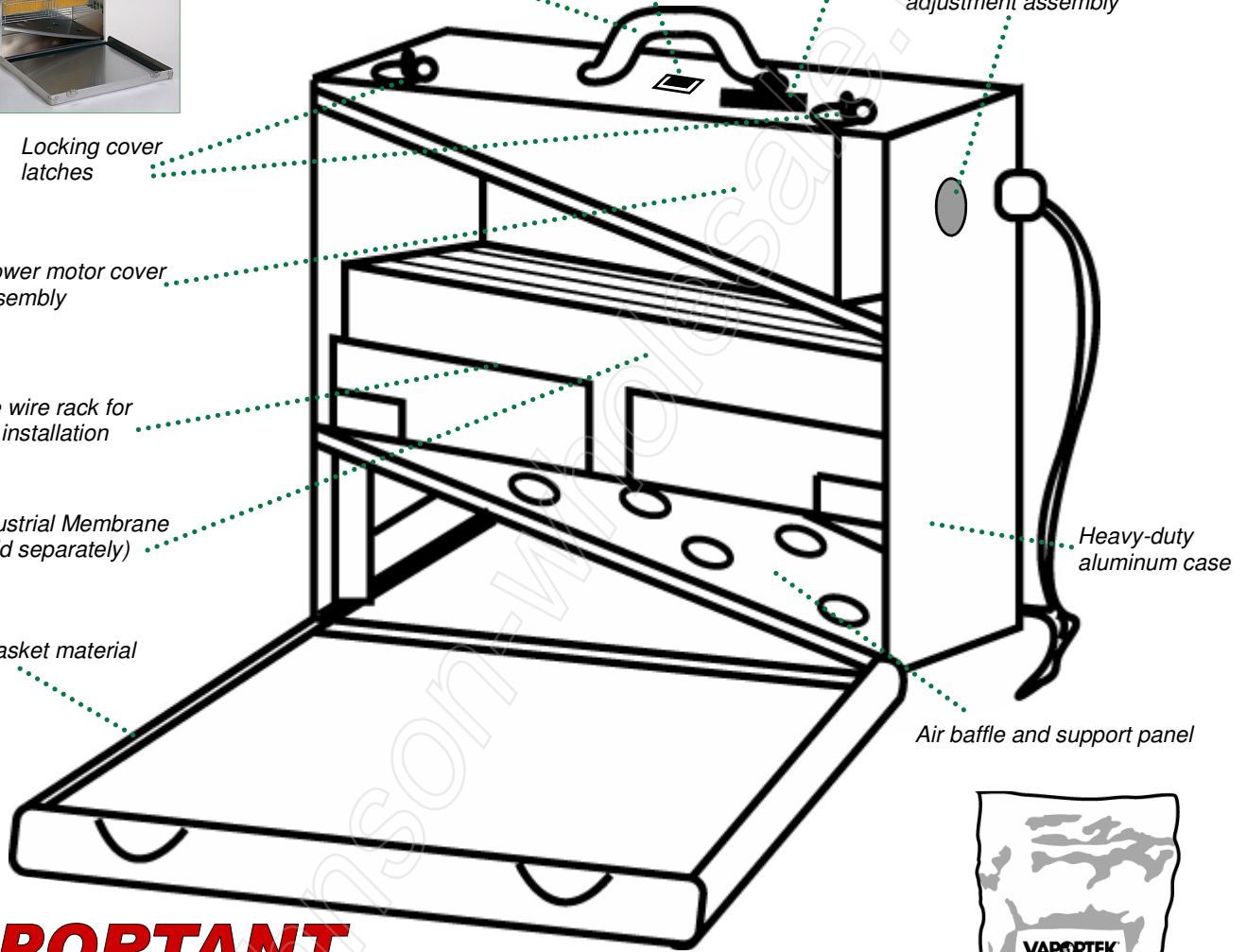
Vapor gasket material

On/off switch for internal blower

Time-in-use meter

Insulated handle

Treated air outlet with internal adjustment assembly



Heavy-duty aluminum case

Air baffle and support panel



IMPORTANT

This system provides a safe, effective alternative to ozone. It is not recommended for use with ozone-generating equipment.

Replaceable membranes available in 3X Industrial and S.O.S. (Smoke Odor Solution) formulations, sold separately.



SUGGESTED APPLICATIONS

- Manufacturing Facilities
- Smoke/Flood Damage Restoration
- Animal Shelters
- Restaurant Grill Exhausts/Party Rooms
- Sewer/Septic Backup and Sewage Treatment Plants
- Casinos/Large Meeting Halls



PURPOSE

The Portable Industrial Odor Controller (#90-0928) is a powerful, versatile and easy-to-use appliance that is ideally suited for commercial, industrial, healthcare and hospitality facilities. By installing up to 10 industrial membranes (#90-0926), it is capable of treating interior areas as large as 200,000 cubic feet. The replaceable membranes contain a proprietary blend of non-toxic, natural essential oils that are diffused into the air as a neutralizing dry vapor to permeate surfaces and eliminate odors. The Portable Industrial has proven to be effective in such applications as large kennels, garbage chute/trash compactor areas, smoke-damaged department stores, dairy processing plants and industrial metal-plating operations.


PLACEMENT

The Portable Industrial can be used freestanding, with the unit's internal blower powering the dry vapor dispersion, or permanently installed on the suction side of a ventilation system, eliminating the need for the unit's blower. When used freestanding, the lightweight unit can easily be moved from room to room or to different areas as necessary. Because the neutralizing vapor is slightly heavier than air, improved performance will result when the unit is placed relatively high in the treatment area.

FEATURES AND BENEFITS

The Portable Industrial dispenses a non-toxic dry vapor when the odor control liquid sealed inside the membranes "breathes" out through the surface of the membranes as air travels over them. Simply place the desired number of membranes in the internal wire rack. Adjust the air inlet and air outlet openings, generally starting at a low setting and increasing the openings as appropriate for desired treatment. To achieve constant vapor output and maximize membrane life, a membrane rotation schedule should be followed. Average life of each industrial membrane is 270 hours.

SELECTED SPECIFICATIONS

- Treats areas up to 200,000 cubic feet.
- Heavy-duty aluminum case construction with insulated carrying handle and durable locking latches.
- Measures 21" x 19" x 12".
- Weighs 17 lbs., 15 oz.
- Thermally protected motor with 72" grounded power cord.
- 115/V 50/60 cycle blower rated at 54 CFM.
- Five-year limited warranty.
- Made by Vaportek in the USA. 

Because of a constant commitment to product improvement, Vaportek reserves the right to change product specifications or availability without notice or obligation.

Vaportek products contain no petroleum distillates, alcohol or ozone-depleting chemicals.

- ✓ **Superior to foggers** – creates no wet residue, requires no direct contact with liquids, and treats large areas.
- ✓ **Superior to ozone generators** – uses non-toxic essential oils, does not oxidize or deteriorate materials, or require evacuation of areas during treatment.

The Portable Industrial is ideally suited for heavy-duty, large-scale applications, providing unlimited versatility and safe, cost-effective solutions to challenging odor problems.

VAPORTEK 

Sussex, WI 53089

1-800-237-6367 ❖ www.Vaportek.com