

# 07. 99406 16" BR 16/3 Automatic Scrubber

[www.johnson-wholesale.com](http://www.johnson-wholesale.com)

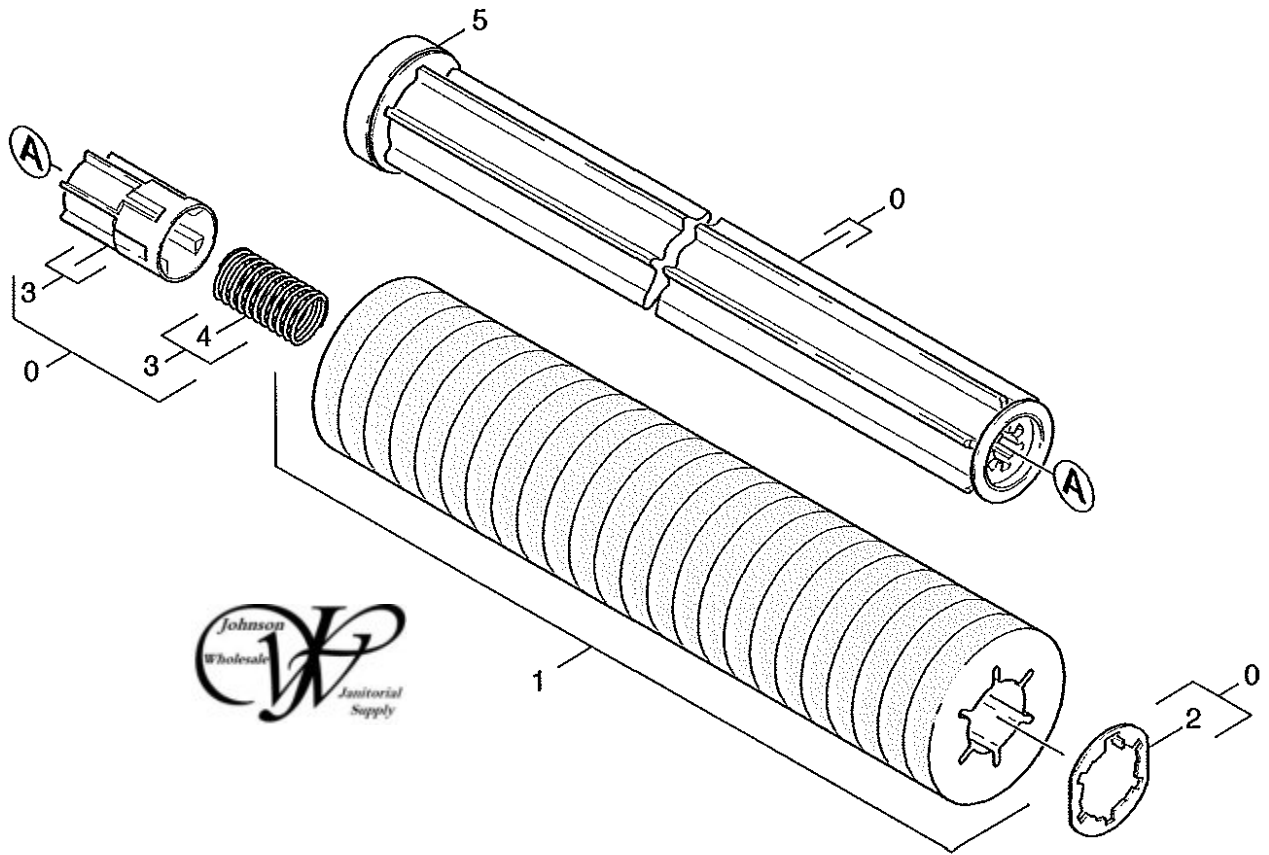


Order Today from  
[www.johnson-wholesale.com](http://www.johnson-wholesale.com)

# TABLE OF CONTENTS

Accessories and Pad Roll .....	3
Brush Housing .....	5
Chasis .....	8
Individual Parts .....	10
Retaining Bracket .....	13
Switch .....	15
Tank .....	17
Transmission .....	19
Accessories and Consumables .....	22

### Accessories and Pad Roll

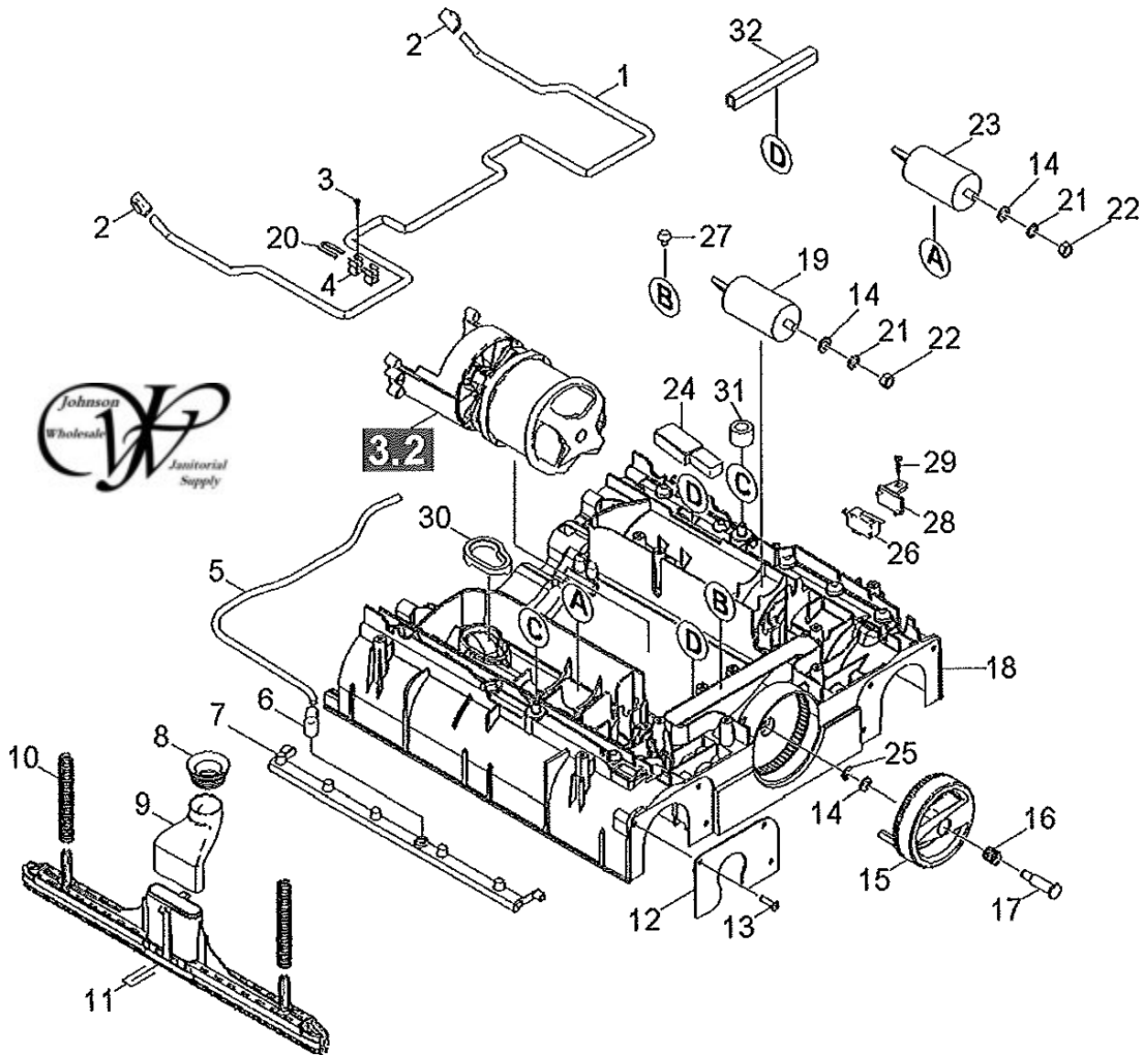


Rendered by LeadVenture, Inc.

## Accessories and Pad Roll

<b>Ref Number</b>	<b>Part Number</b>	<b>Part Description</b>	<b>Context Notes</b>	<b>Quantity</b>
0	K47622280	Roller Pad Shaft		1
1	K63697250	Roller Pad on Sleeve (Hard)		1
1	K63697260	Roller Pad on Sleeve (Medium)		1
1	K63697270	Roller Pad on Sleeve (Very Soft)		1
1	K63697240	Roller Pad on Sleeve (Soft)		1
2	K41150030	Washer		1
3	K51203130	Roller Pad Hub		1
4	K53324690	Spring		1
5	K40386770	Thread Deflector		1

# Brush Housing



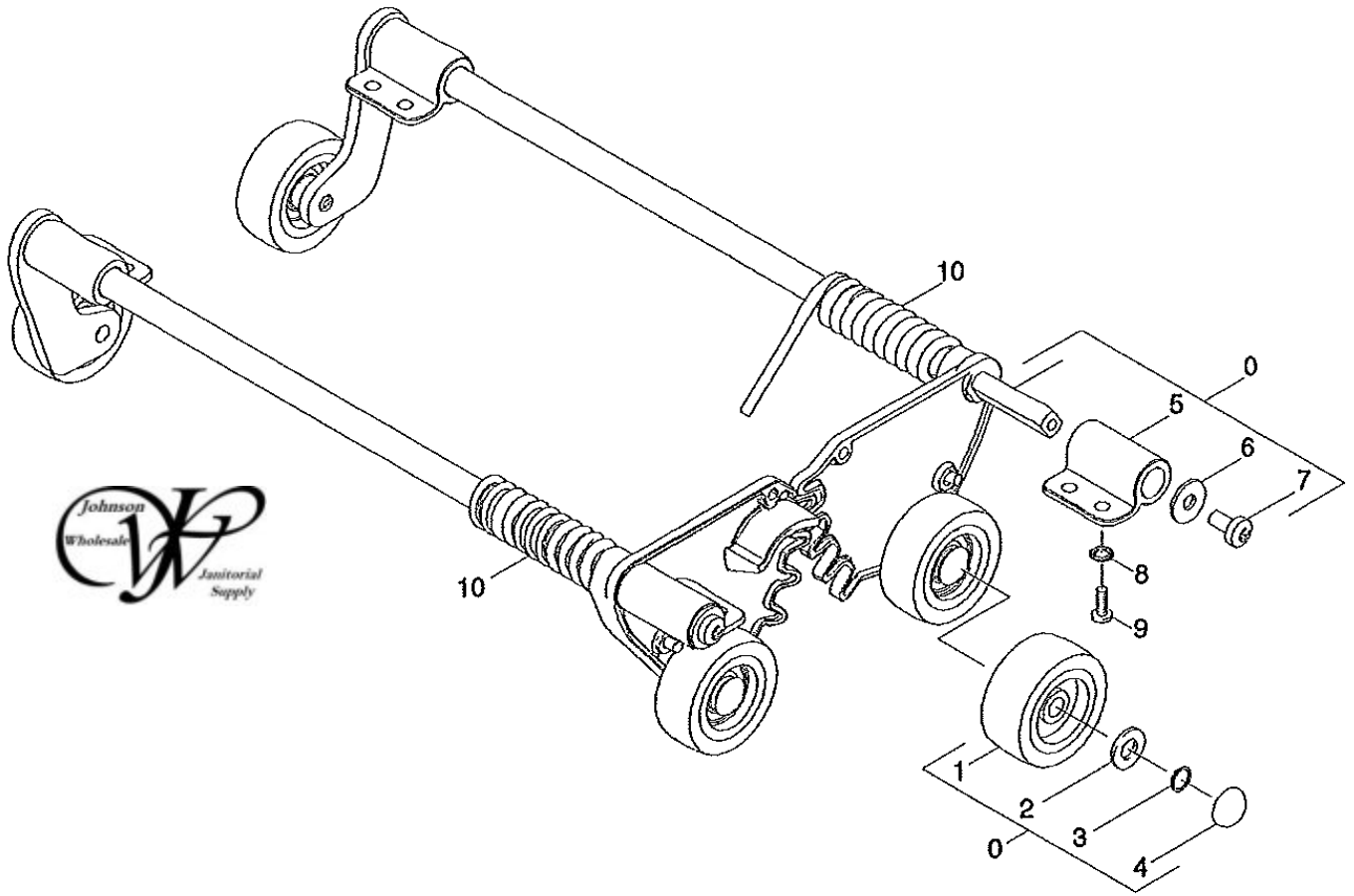
Rendered by LeadVenture, Inc.

## Brush Housing

<b>Ref Number</b>	<b>Part Number</b>	<b>Part Description</b>	<b>Context Notes</b>	<b>Quantity</b>
1	K50347840	Squeegee Assembly Retaining Bracket		1
2	K50504160	Tab		2
3	K73030920	Screw M3 x 12		2
4	K63304100	Spring Clip		2
5	K63882160	Hose (Sold in Inches)		1
6	K50504110	Angle Bushing		2
7	K50509920	Water Distributor		2
8	K50504150	Gasket		2
9	K50504040	Squeegee Assembly Connection Piece		2
10	K53322160	Spring		4
11	K47770970	Squeegee Assembly w/Blades		2
11	K47770980	Squeegee Assembly w/Oil Resistant Blades		2
12	K50347990	Brush Holder Plate		2
13	K73032120	Screw M5 x 20		6
14	K73120040	Washer		3
15	K50504030	Adjustment Knob		1
16	K53322070	Spring		1
17	K50349290	Carriage Bolt		1
18	K40333260	Brush Housing		1
19	K66612210	Capacitor		1
20	K50348730	Plate		1
21	K73122330	Serrated Lock Washer		2
22	K73110040	Nut		2
23	K66612200	Capacitor		1
24	K66829750	Starting Electronics		1
25	K73433000	Lock Washer		1
26	K66304380	Microswitch		1

<b>Ref Number</b>	<b>Part Number</b>	<b>Part Description</b>	<b>Context Notes</b>	<b>Quantity</b>
27	K63392490	Rubber Buffer		2
28	K50506540	Microswitch Retainer		1
29	K73031080	Screw M5 x 20		1
30	K50505720	Seal		1
31	K50348940	Gasket		2
32	K62730550	Profile Gasket (to order as cut goods)		2

Chasis

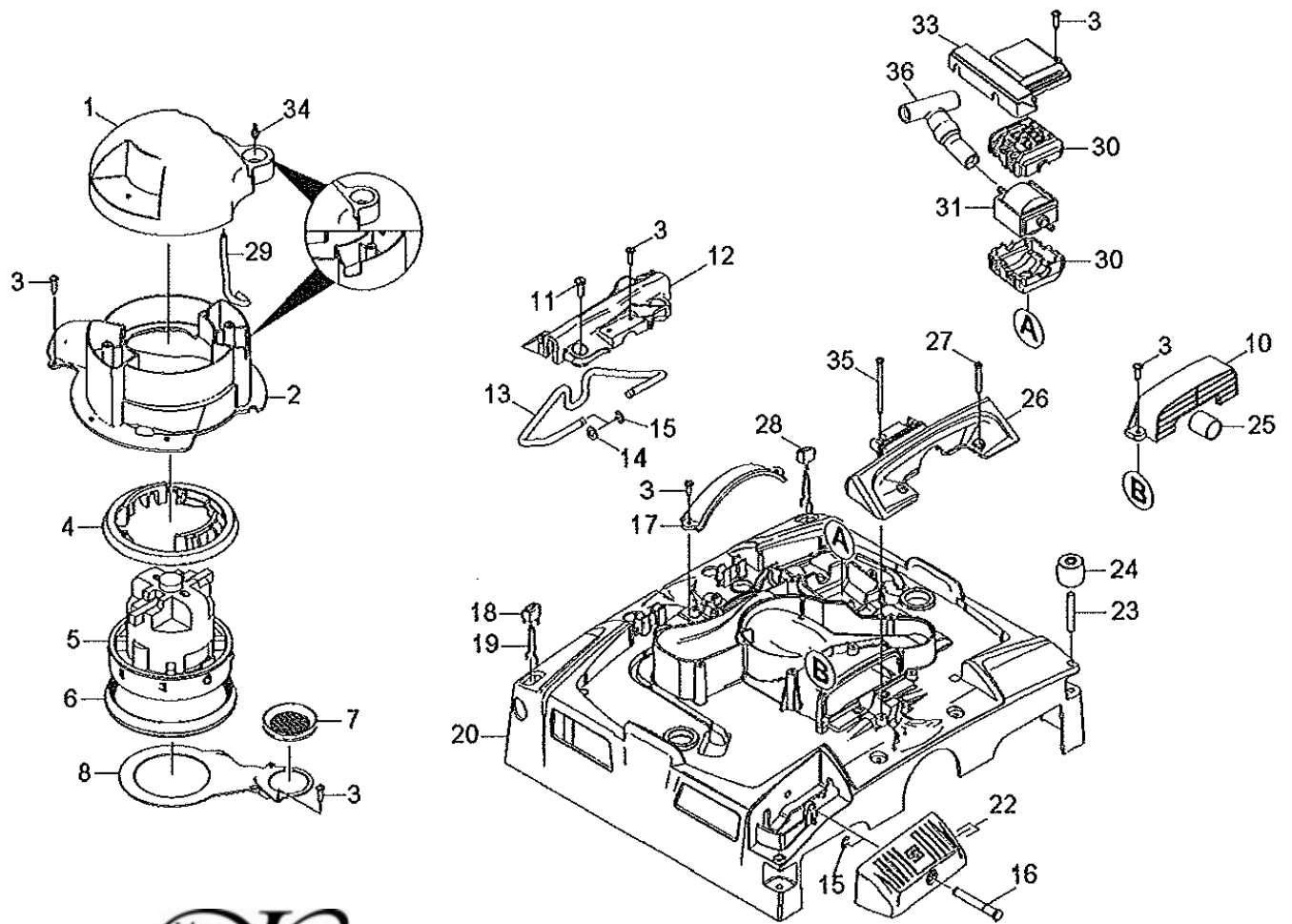


Rendered by LeadVenture, Inc.

## Chasis

<b>Ref Number</b>	<b>Part Number</b>	<b>Part Description</b>	<b>Context Notes</b>	<b>Quantity</b>
0	K30340080	Complete Carriage		1
1	K64353730	Wheel		4
2	K73620020	Joint Ring		4
3	K73431270	Spring Clip		4
4	K63431320	Wheel Cap		4
5	K50503970	Bracket		4
6	K73122920	Washer		4
7	K73061920	Screw M6 x 12		4
8	K73120410	Lock Washer		8
9	K73032120	Screw M5 x 20		8
10	K40341790	Spring Set		1

### Individual Parts



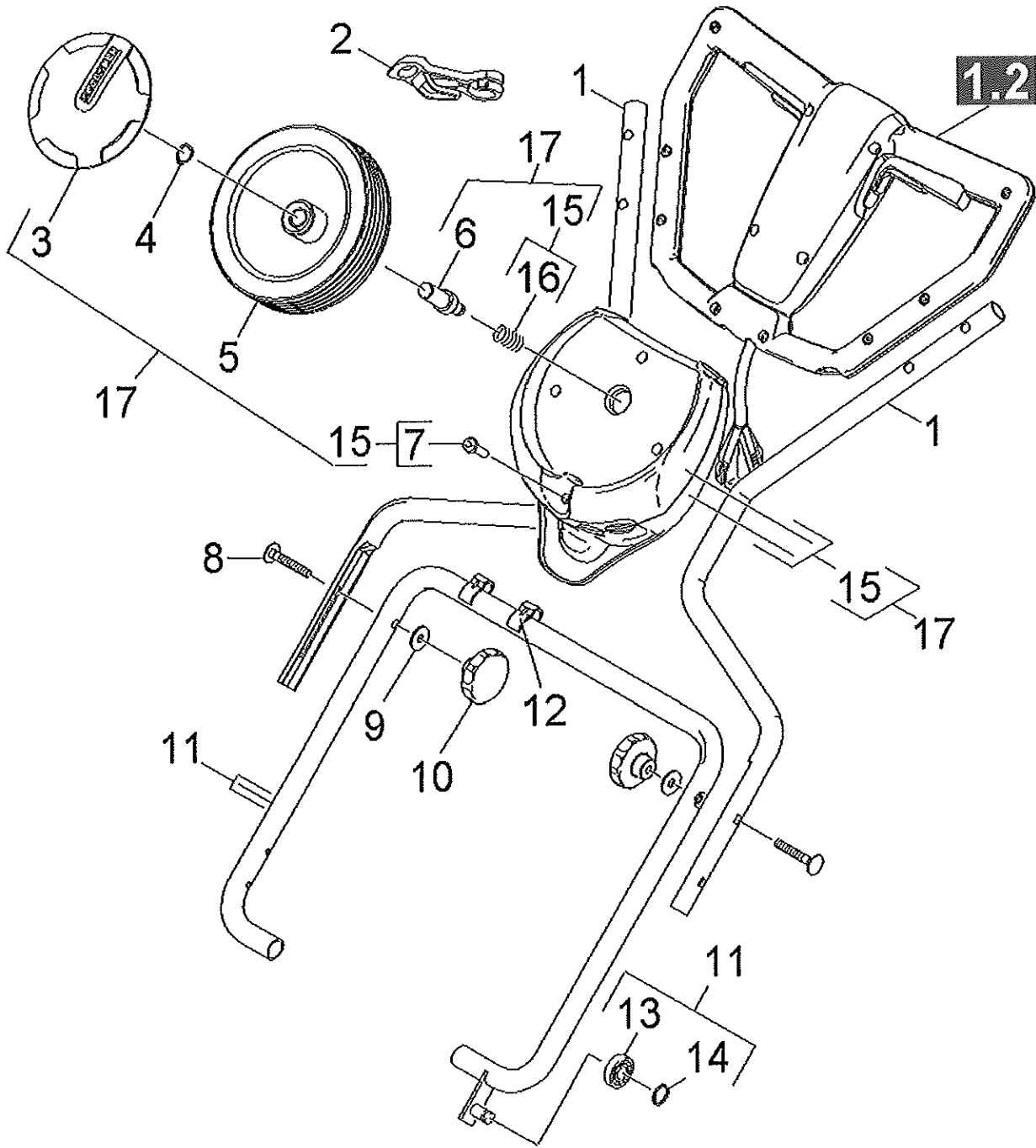
Rendered by LeadVenture, Inc.

## Individual Parts

<b>Ref Number</b>	<b>Part Number</b>	<b>Part Description</b>	<b>Context Notes</b>	<b>Quantity</b>
1	K50503610	Vacuum Motor Cover		1
2	K50503600	Vacuum Motor Housing		1
3	K73031080	Screw M5 x 20		18
4	K50503620	Top Motor Seal		1
5	K40351430	Vacuum Motor /Float		1
6	K50503630	Bottom Motor Seal		1
7	K53633440	Filter		1
8	K50504490	Vacuum Motor Mounting Plate		1
10	K50504070	Right Splash Guard		1
11	K73030670	Screw		4
12	K50504130	Left Retaining Bracket		1
13	K50348270	Retaining Bracket Adjustment		1
14	K73120170	Washer		2
15	K73433000	Lock Washer		3
16	K50347860	Pedal Bolt		1
17	K50504060	Left Splash Guard		1
18	K50504480	Wheel Release Button		1
19	K50348390	Spring		2
20	K50503080	Brush Housing Cover		1
22	K47830010	Pedal		1
23	K50348470	Bolt		2
24	K50504050	Bumper Wheel		2
25	K60340030	Bushing		2
26	K50504140	Right Retaining Bracket		1
27	K73031110	Screw M5 x 50		4
28	K50504470	Wheel Latch		1
29	K63882160	Hose (Sold in Inches)		1
30	K50504080	Pump Housing		2
31	K64735320	Pump 120V,60 Hz		1

<b>Ref Number</b>	<b>Part Number</b>	<b>Part Description</b>	<b>Context Notes</b>	<b>Quantity</b>
33	K50504100	Pump Cover		1
34	K51081920	Pin		1
35	K73031710	Screw M5 x 80		2
36	K40509560	Check Valve		1
37	K66419380	Wiring Harness for Pump, BR 16/3		

# Retaining Bracket

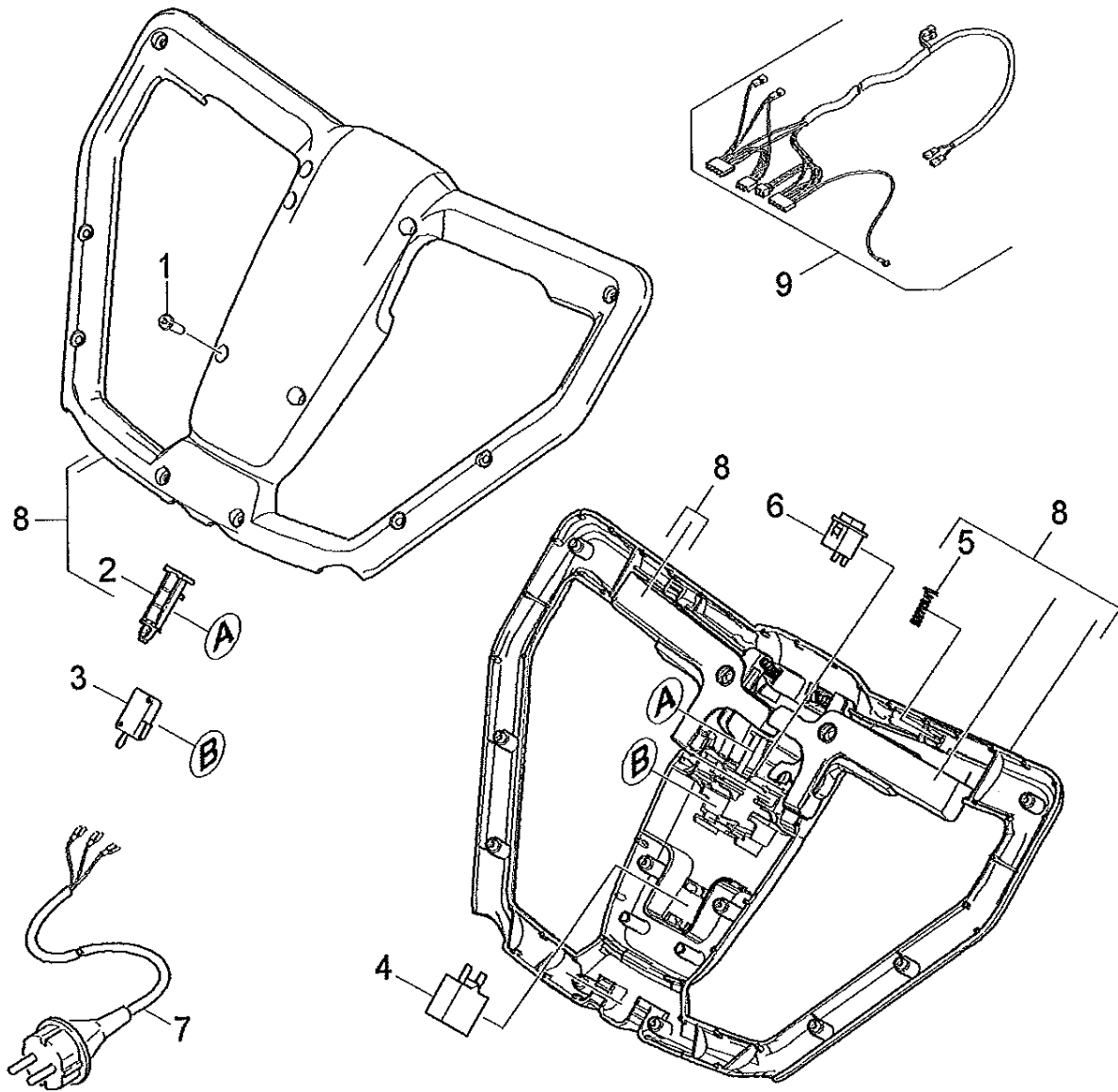


Rendered by LeadVenture, Inc.

## Retaining Bracket

<b>Ref Number</b>	<b>Part Number</b>	<b>Part Description</b>	<b>Context Notes</b>	<b>Quantity</b>
1	K50347830	Top Handel Bracket		2
2	K66417760	Cable Retainer		1
3	K64351970	Wheel Cap		2
4	K73430050	Spring Clip		2
5	K64351960	Wheel		2
6	K50347950	Wheel Axle		2
7	K73031080	Screw M5 x 20		4
8	K73030090	Screw M8 x 50		2
9	K73122770	Washer		2
10	K63211770	Star Grip		2
11	K40342010	Bottom Handle		1
12	K50504260	Cable Clip		2
13	K74011490	Ball Bearing		1
14	K73433000	Lock Washer		1
15	K47830030	Complete Wheel Holder		1
16	K53329810	Spring		2
17	K27830130	Wheel Holder Pin and Spring		1

# Switch

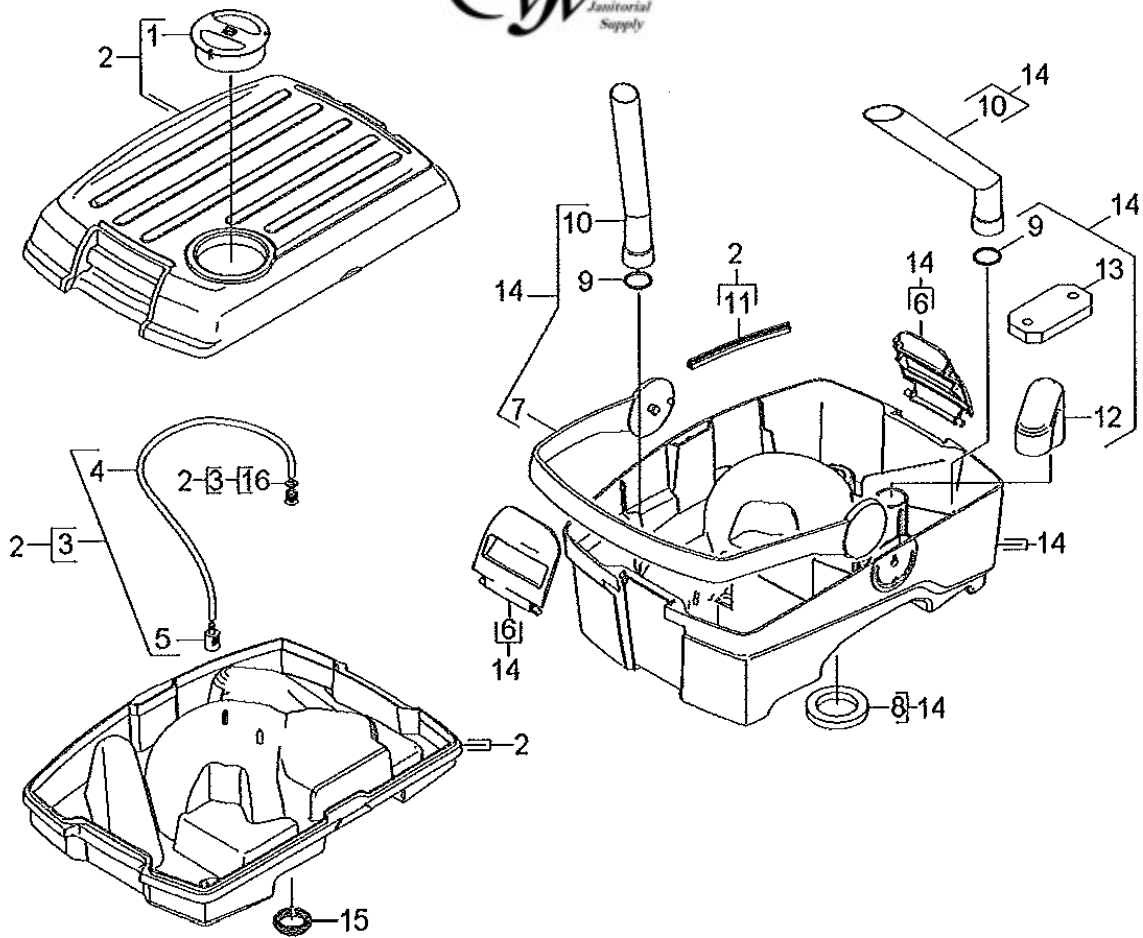


Rendered by LeadVenture, Inc.

## Switch

<b>Ref Number</b>	<b>Part Number</b>	<b>Part Description</b>	<b>Context Notes</b>	<b>Quantity</b>
1	K73031080	Screw M5 x 20		12
2	K50504330	Switch Actuaator		1
3	K66304260	Main Switch		2
4	K66304280	Motor Protection Switch		1
5	K53329440	Spring		5
6	K66304270	Momentary Switch		2
7	K66496950	Power Cable		1
8	K47830020	Handle and Lever Assembly		1
9	K66504840	Handle Cable Harness		1

Tank

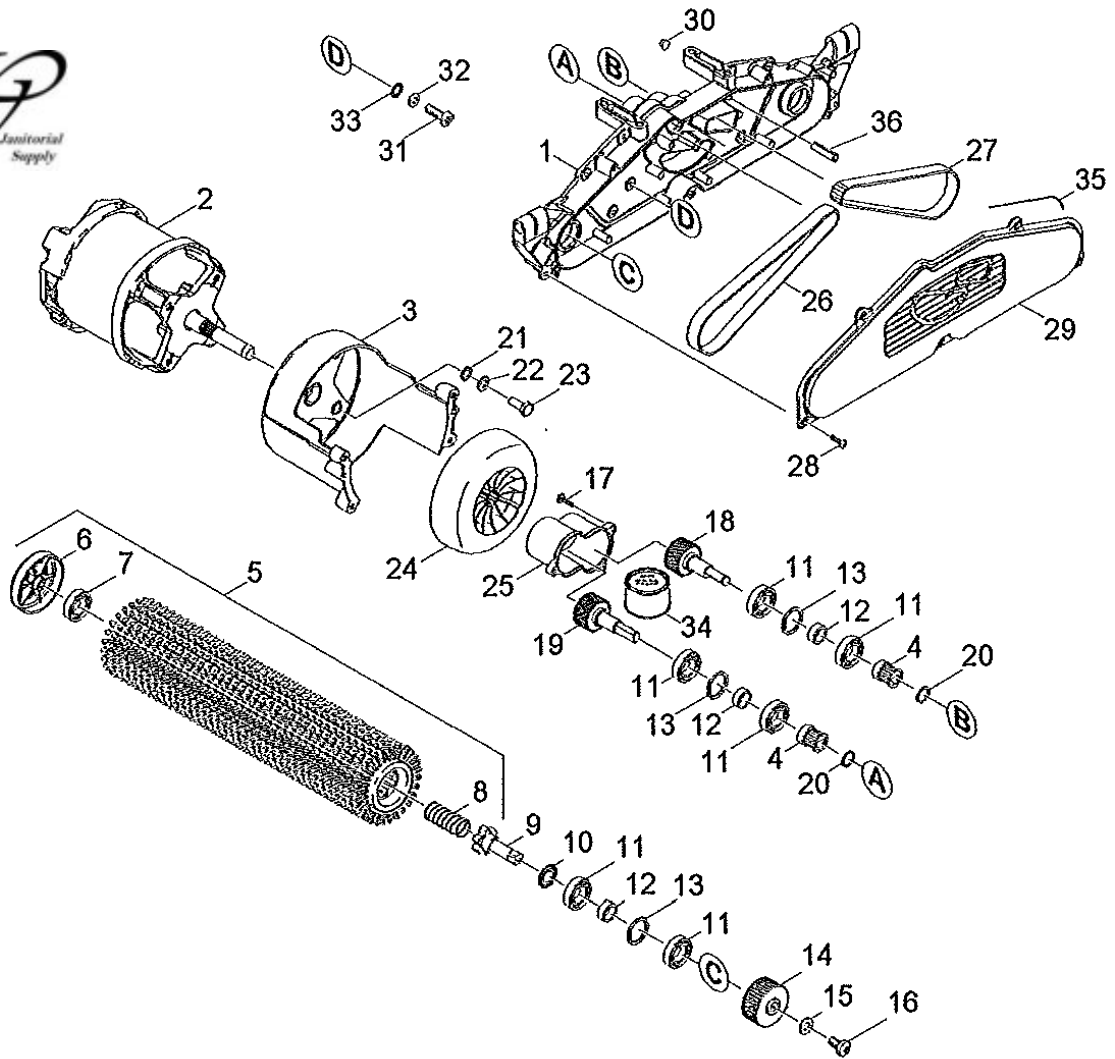


Rendered by LeadVenture, Inc.

## Tank

<b>Ref Number</b>	<b>Part Number</b>	<b>Part Description</b>	<b>Context Notes</b>	<b>Quantity</b>
1	K50503590	Cap		1
2	K47830040	Fresh Water Tank		1
3	K40333270	Valve Tank Complete		1
4	K63882160	Hose (Sold in Inches)		1
5	K57316520	Filter w/Weight		1
6	K50512630	Tank Latch		2
7	K50503140	Tank Carrying Handle		1
8	K50348680	Gasket		1
9	K63621080	O-Ring		2
10	K50504570	Suction Tube		2
11	K62732820	Profile Gasket Sold By The Meter		2
12	K50504010	Float Elbow		1
13	K55850600	Float		1
14	K40342470	Dirty Water Tank		1
15	K50505410	Seal		1
16	K73120140	Washer		1

Transmission



Rendered by LeadVenture, Inc.

## Transmission

<b>Ref Number</b>	<b>Part Number</b>	<b>Part Description</b>	<b>Context Notes</b>	<b>Quantity</b>
1	K50504450	Gear Case		1
2	K66800000	Brush Motor		1
3	K50504320	Motor Flange		1
4	K56253180	Pulley		2
5	K47622510	Roller Brush (High/Low)		2
5	K47624810	Roller Brush (Very Hard)		2
5	K47622500	Roller Brush (Soft)		2
5	K47622520	Roller Brush (Hard Grit)		2
5	K47622740	Roller Brush (Very Soft)		2
5	K47620030	Red Roller Brush		2
6	K40386770	Thread Deflector		2
7	K64013630	Ball Bearing		2
8	K53321140	Spring		2
9	K51005710	Drive Shaft		2
10	K63632920	Gasket		2
11	K74011150	Ball Bearing		8
12	K51106860	Spacer		4
13	K73432310	Spring Clip		4
14	K56253570	Pulley		2
15	K73122920	Washer		2
16	K73061920	Screw M6 x 12		2
17	K73030390	Screw M5 x 16		3
18	K41001250	Left Gear Shaft		1
19	K41002340	Right Gear Shaft		1
20	K73430030	Safety Ring		2
21	K73122330	Serrated Lock Washer		4
22	K73120170	Washer		4
23	K73043970	Screw M8 x 20		4
24	K50503580	Blower Wheel		1

<b>Ref Number</b>	<b>Part Number</b>	<b>Part Description</b>	<b>Context Notes</b>	<b>Quantity</b>
25	K50503570	Gear Cover		1
26	K63482650	Belt		1
27	K63484310	Belt		1
28	K73031080	Screw M5 x 20		6
29	K50503100	Cover		1
30	K63683470	Cap		1
31	K73061050	Screw M6 x 30		4
32	K73120030	Washer		1
33	K73122320	Serrated Lock Washer		4
34	K62880950	Gear Oil 50g		1
35	K62730370	Seal		1
36	K73149440	Pin		2

### Accessories and Consumables

1



2



3



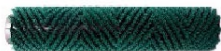
4



5



6



7



Rendered by LeadVenture, Inc.

## Accessories and Consumables

<b>Ref Number</b>	<b>Part Number</b>	<b>Part Description</b>	<b>Context Notes</b>	<b>Quantity</b>
1	K47770980	Squeegee Assembly w/Oil Resistant Blades		
2	K47770970	Squeegee Assembly w/Blades		
3	K47622500	Roller Brush (Soft)		
4	K47622490	Roller Brush (Medium)		
5	K47622510	Roller Brush (High/Low)		
6	K47622520	Roller Brush (Hard Grit)		
Not Shown	K47622540	Roller Brush (Soft)		
7	K47622740	Roller Brush (Very Soft)		
Not Shown	32217	Extension Cord 14/3 x 50' Yellow		

