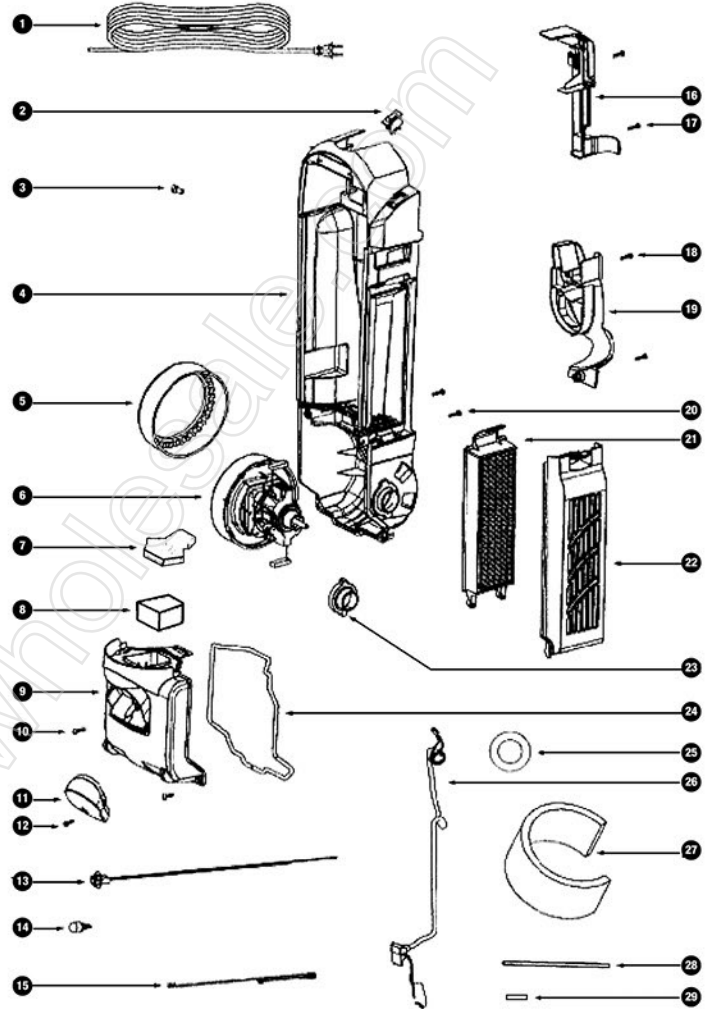
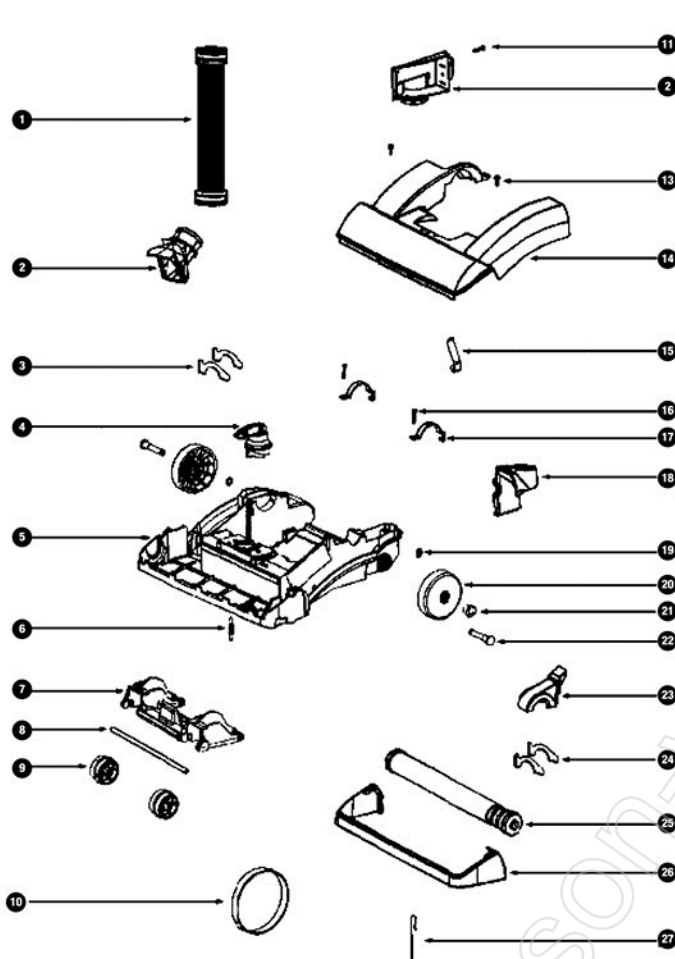




## BASE & HOOD

## MAIN BODY

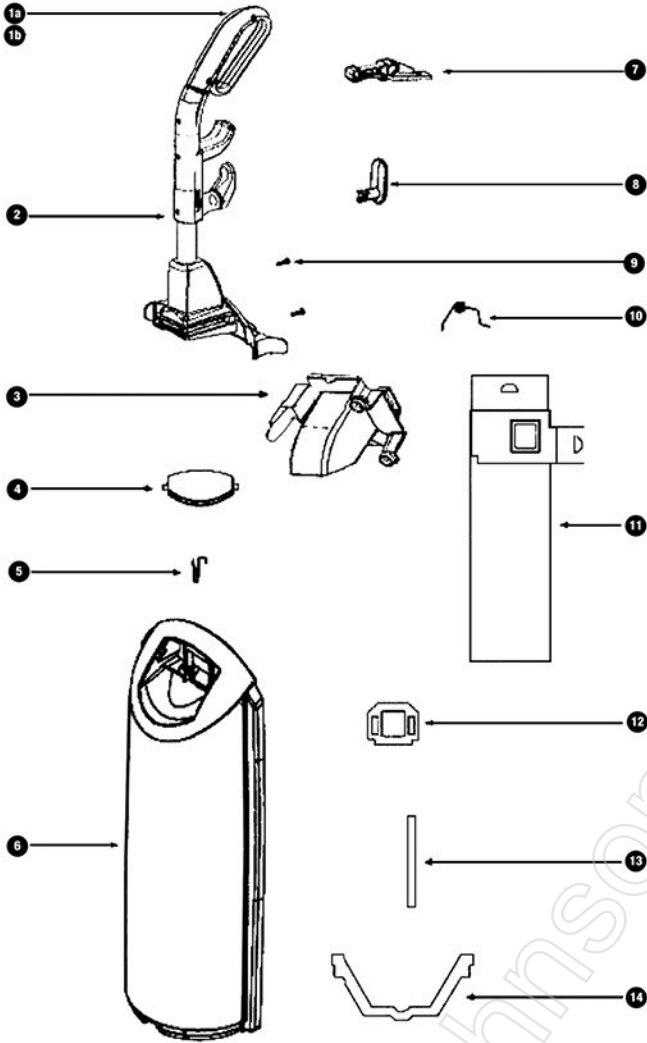


ref#	item #	description
<b>BASE &amp; HOOD</b>		
1	ER139	base hose assembly
2	ER139	base hose assembly
3	73.153	felt base
4	ER222	height adjustment knob
5	ER224	base assembly
6	24.006	carriage spring
7	ER225	carriage wheel
8	ER226	front axle
9	ER228	front wheel
10	09.024	belt 2 pak
12	ER139	base hose assembly
13	ER230A	handle screw - holds handle to unit
14	ER231	hood assembly
15	ER232	handle release spring
16	ER230	handle screw - holds handle together
17	ER455	motor clamp
18	ER235	handle release
19	59.084	rear wheel clip
20	ER236	rear wheel
21	ER237	axle bushing
22	59.095	rear axle
23	ER215	belt cap
24	73.152	latch pin
25	10.173	brush roll assembly

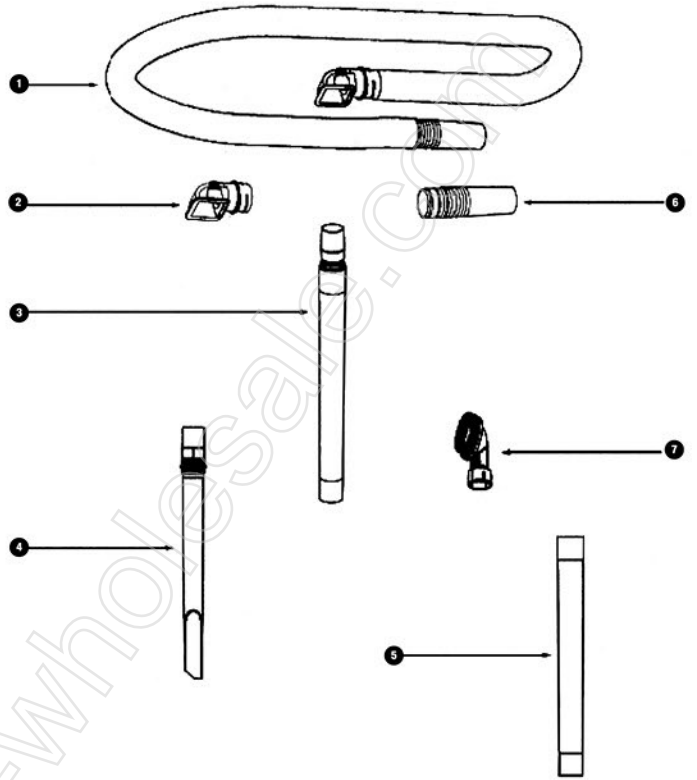
ref#	item #	description
<b>MAIN BODY</b>		
1	ER269	40' supply cord
2	ER276	rocker switch
3	P6	wire splice 5
4	ER278	rear housing assembly
6	ER279A	motor assembly
8	ER280	pre-motor filter
11	ER282	lens
12	ER230A	handle screw - holds handle down
16	ER284	switch cover assembly
19	ER318	tool pack, lower
20	ER230	handle screw - holds handle together
21	ER285	washable HEPA filter
22	ER286	filter cover
27	ER263	sound foam

\*call for pricing and availability of all referenced parts

HANDLE & BAG COVER



ACCESSORIES



ref#	item #	description
<b>HAND &amp; BAG COVER</b>		
2	ER292	upper handle assembly
3	ER293	adapter clip
5	ER294	torsion spring
8	ER251	cord hook
9	ER230A	handle screw - holds handle to unit
10	ER301	torsion spring
11	ER419	style LS 3pk paper bag

ref#	item #	description
<b>ACCESSORIES</b>		
1	ER180	hose assembly
2	ER187	hose adapter
3	ER181	nesting wand assembly
4	ER182	crevice wand
7	ER186	dust brush

\*call for pricing and availability of all referenced parts