

Powr-Flite®

COMMERCIAL FLOOR CARE EQUIPMENT

Two-Motor Commercial Upright Vacuum

Model PF14 and PF18 OWNERS MANUAL



IMPORTANT
READ THESE INSTRUCTIONS AND RETAIN FOR FUTURE REFERENCE

WARNING

To reduce risk of fire, electric shock, or injury:

- **Do not** use outdoors or on wet surfaces.
- **Do not** leave vacuum cleaner unattended when plugged in. Turn off the switch and unplug the electrical cord when not in use and before servicing.
- **Do not** allow to be used as a toy. Close attention is necessary when used by or near children.
- Use only as described in this manual. Use only manufacturer's recommended attachments.
- **Do not** use with damaged cord or plug. If vacuum cleaner is not working as it should, has been dropped damaged, left outdoors, or dropped into water, return it to a service center before using.
- **Do not** pull or carry by cord, use cord as a handle, close a door on cord, or pull a cord around sharp edges or corners. Do not run vacuum cleaner over cord. Keep cord away from heated surfaces.
- **Do not** use extension cords or outlets with inadequate current carrying capacity.
- Turn off all controls before unplugging.
- **Do not** handle plug or vacuum cleaner with wet hands.
- **Do not** put any objects into openings. **Do not** use with any opening blocked, keep free of dust, lint, hair, and anything that may reduce airflow.
- This vacuum cleaner creates suction. Keep hair, loose clothing, fingers, and all parts of body away from openings.

- **Do not** pick up anything that is burning or smoking, such as cigarettes, matches or hot ashes. Do not use without dust bag in place. Use extra care when cleaning on stairs. Do not use to pick up flammable or combustible liquids such as gasoline, or use in areas where they may be present.
- Store your cleaner indoors in a cool, dry area.
- **Do not** unplug by pulling on cord. To unplug, grasp the plug,
NOT THE CORD.

THIS MODEL IS GROUNDED, CONNECT TO A PROPERLY GROUNDED OUTLET ONLY
SEE GROUNDING INSTRUCTIONS.

GROUNDING INSTRUCTIONS

This appliance must be grounded. If it should malfunction or breakdown, grounding provides a path of least resistance for electric current to reduce the risk of shock. This appliance is equipped with a cord having an equipment-grounding conductor and grounding plug. The plug must be inserted into an appropriate outlet that is properly installed and grounded in accordance with all local codes and ordinances.

WARNING - Improper connection of the equipment-grounding conductor can result in a risk of electric shock. Check with a qualified electrician or service person if you are in doubt as to whether the outlet is properly grounded. Do not modify the plug provided with the appliance - if will not fit the outlet, have a proper outlet installed by a qualified electrician.

Note: In Canada, the use of a temporary adapter is not permitted by the Canadian Electrical Code.

SAFETY PRECAUTIONS

- Do not vacuum water or liquids.
- Do not vacuum up hard or sharp objects, as they may damage the hose, vacuum bag or the vacuum motor.
- Do not drop the vacuum on the floor.
- Do not operate the vacuum while it is standing on high-pile carpet. It is essential that the exhaust airflow is not restricted.
- Do not kink or twist the power cord.
- Do not attempt to service the vacuum yourself. Repair by anyone other than an authorized repair service may void the warranty.

ASSEMBLY

Carefully check carton to signs of damage. Report damages at once to carrier.

Unpack the machine and check machine for completeness according to the packing list. Check the cord plug installed corresponds to your wall outlet.

1. Install handle by sliding it into the opening in the top of the bag housing until it bottoms out. Install and tighten with the thumbscrew.
2. Install the hose by pushing one end into the top of the bag housing. Push the other end into the wand.
3. Make sure the dust bag is installed. For instructions refer to the DUST BAG REMOVAL AND INSTALLATION.
4. Snap the upholstery tool and crevice tool into the option mount.
5. Plug the cord pigtail into the outlet at the back of the vacuum housing.
6. Plug power cord into outlet at top of housing (next to handle). The power switch will glow when cord is connect to a wall outlet correctly.

OPERATION

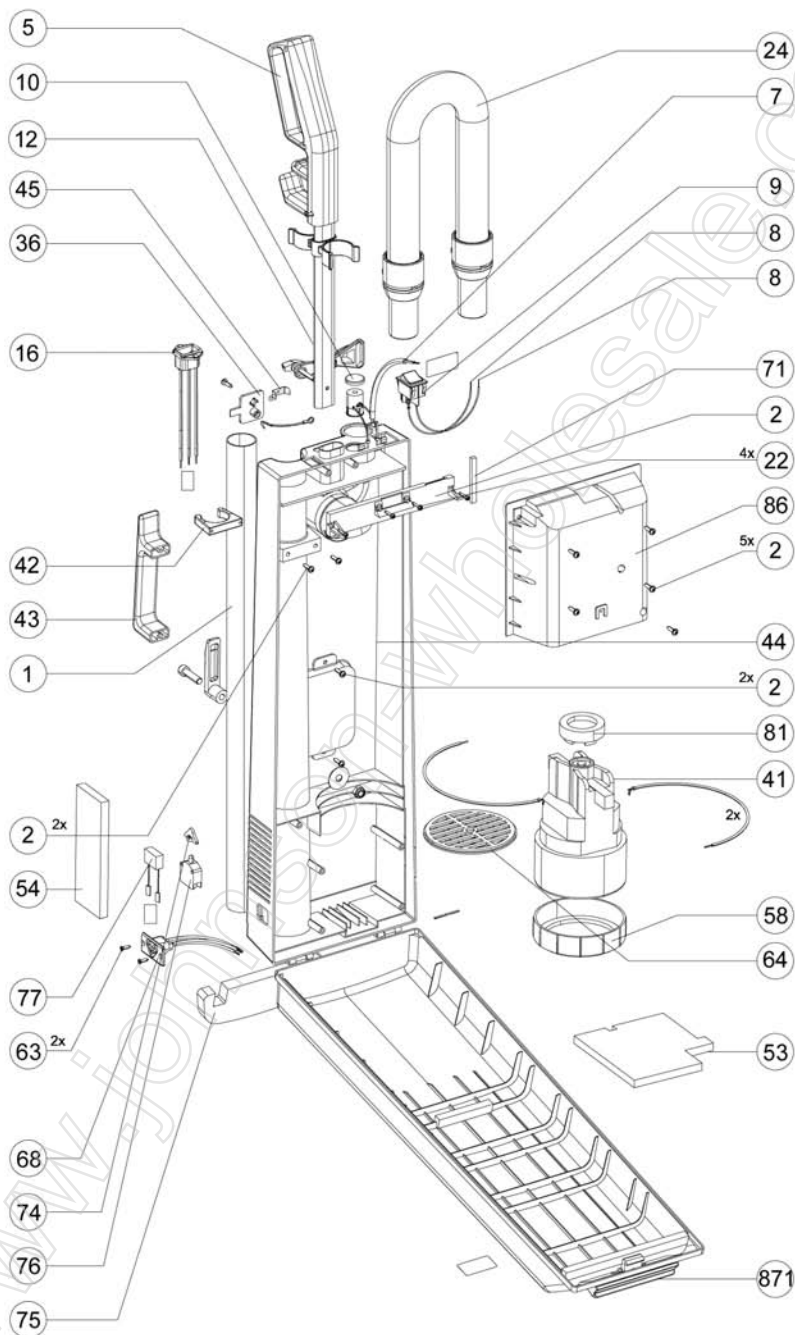
Note: this machine is suitable for voltages from 110-120 AC/60 Hz.

1. Check to ensure a dust bag is installed. Replace bag if needed.
2. Check brush area for any thread, string or debris that may be wrapped around the brush.
3. Plug the power cord into a receptacle.
4. Adjust the brush height knob to suit the carpet thickness.
5. Turn the main power switch on. The vacuum fan motor will turn.
6. While holding the handle depress the red release and lower the handle to a convenient operating position. When the handle is lowered the brush motor will start turning.
7. Clean the floor using normal vacuuming procedure.
8. For cleaning with wand, remove the wand by snapping it out of the retainer clip and pulling it from its inlet. The brush motor will stop automatically.
9. Attach tools and clean as you like.

BAG REMOVAL

1. Your machine has a red full bag light which comes on when the airflow is obstructed, indicating the dust bag is full.
2. If the light comes on, switch off the machine, unplug the cord and check the dust bag. If the bag is not full, there is an obstruction somewhere in the system.
3. To remove the bag, open the bag housing by pushing the door latch. Fold the ends of the dust bag together and carefully remove the bag.
4. To install a new dust bag, push the bag into the inlet of the vacuum intake as far as it will go. Fold the top down so it will not interfere with the door latch.
5. Close the door, ensuring that it latches properly.

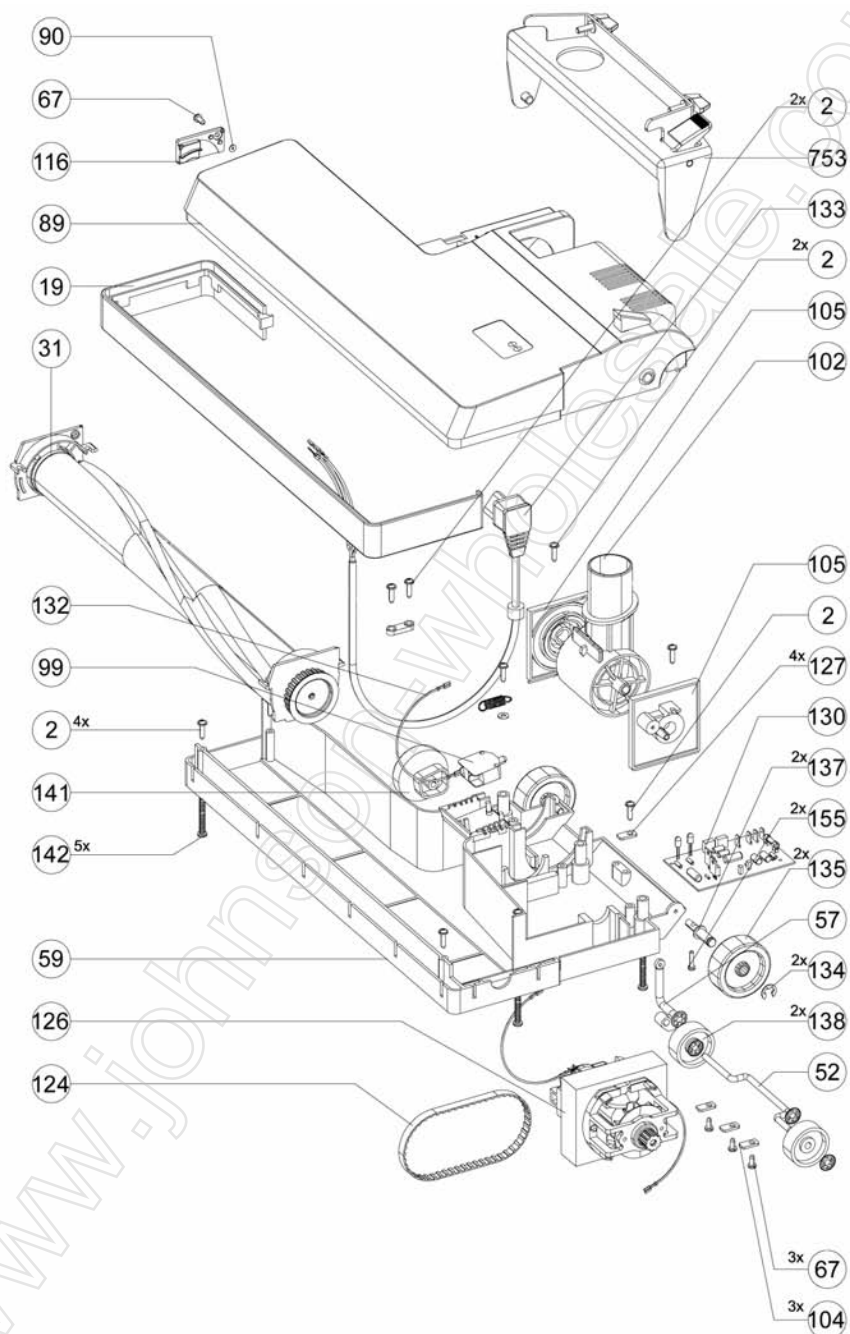
PF14-18 Upper Housing



ref#	order	description
1	TB1	wand
2	TB2	screw, 4x16
3	TB3	screw, 3.5x18
4	TB4	screw, 3.5x25
5	TB5	handle grip right and left
7	TB7	sleeve
9	TB8	on/off switch
10	TB9	light, full bag indicator
11	TB200	brush/radiator tool holder
12	TBKIT-1	handle assembly kit
	TB11	handle tube only
13	TB12	screw, 5 x 40
16	TB150	strain relief
20	TB14	terminal block
21	TB15	electrical cover
22	TB16	screw 3.5x16
24	TB17K	hose assembly with cuffs
25	TB18	clip
26	TB19	coupling, hose
27	TB20	50' 3-wire electrical cord
28	TB23	latch, cover
31	TB24	upholstery tool
32	TB25	crevice tool
36	TB26	cover
42	TB27	wand lock
44	TBKIT-14	vac housing kit, rear
45	TB30	anti slip clip
52	TB31	clamp
53	TB32	foam, vac motor
54	TB33	filter
55	TB34	latch, shaft
56	TB35	spring
57	TB36	lock, cover
58	TB37	filter holder

ref#	order	description
60	TB38	disc, filter
61	TB39	7" gasket
63	TB40	screw, 3x8
64	TB41	grill, filter
65	TB42	gasket, motor upper
66	TB43	foam, vac motor
67	TB67	screw, 4x10
68	TB151	receptacle pigtail
69	TB68	release, handle
70	TB69	pin
71	TB62	front door seal
72	TB131	main wire 110 volt
73	TB70	decal
74	TB50	actuator switch
75	TB155	door bumper
76	TB51	switch normal open
77	TB52	RFI suppressor
78	TB72	screw, RH, short
79	TB73	screw, LH, long
81	TB53	gasket, motor lower
82	1995H	motor 110V Lamb
	TB153	motor 1000W 120V
83	TB74	plastic cover
84	TB56	thermal cut out
85	TB57	cable protector sleeve
86	TB58	vac motor housing
88	TB59	front cover shaft
89	TB75K	upper housing, 14"
	TB76	upper housing, 18"
90	TB77	cover brush access
96	TB78	latch
98	TB79	plastic, LH ring
99	TB80	micro switch, closed
100	TB81	plastic, RH ring

PF14-18 Lower Housing



ref#	order	description
101	TB82	felt, TB86A
102	TB83	swivel, intake
103	TB84	screw, 5x18
105	TB86A	swivel guide plate w/o felt
106	TB87	brush pulley
107	TB88	L.H. brush support
108	TB89	ball bearing
116	TB90	cover, brush access
117	TB91	brush strip, 14"
	TB92	brush strip, 18"
119	TB93	roller assembly, 14"
	TB94	roller assembly, 18"
122	TB95	R.H. brush support
123	TB96	pulley, motor
124	TB97	belt
125	TB98	ring, rubber
126	TB99	foam, brush motor
127	TB85	clip
128	TB101	motor, brush 110 V
	TBKIT-10	110 volt brush motor belt kit
130	TB104	control board
133	TB154	cable, pigtail
134	TB156	E-clip
135	TB108	wheel, rear
137	TB109A	rear caster shaft
138	TB110	caster, front
139	TB111	spring
141	TB112	knob
142	TB113	screw, 5x40
143	TB114	14" brush housing
	TB115	18" brush housing
144	TB116	bumper, 14" housing
	TB117	bumper, 18" housing
145	TB118	base plate, 14" housing

ref#	order	description
	TB119	base plate, 18" housing
150	TB120	spring
153	TB60	bag mount fitting
155	TB188	3 x 16 mm screw
160	TB140	brush protector
166	TB122	thermal overload
294	261PB	EC, 10 pk paper bag
753	TB123K	bracket, swivel assembly
871	TB61	door, vac housing
1401	TB124	front caster shaft, 14"

NOT ILLUSTRATED

	TB17	hose assembly w/out cuffs
	TB127	cover for socket cover
	TB130	hose, black stretch
	TB133	brush housing upper & lower
	TB136	carbon brush & spring
	TB139	switch housing w felt
	TB141	round dust brush
	TB142	cord hook
	TB143	cloth bag
	TB147	screw for paper bag sensor
	TB148	50' 18/3 yellow cord for new style
	TB150	inlet 3 pin for line cord
	TB151	3 pole connection plug for HEPA units
	TB143	cloth bag
	TB39	gasket, door
	HP1418	HEPA filter
	U2170	carbon assembly, 1995H
	TB109A	rear axle shaft, new style
	JT59	cord end 10a/250v
	TB155	door bumper

Model PF14 and PF18 OWNERS MANUAL

The Powr-Flite Limited Warranty

The manufacturer warrants to the original purchaser that products manufactured are free from defects, provided such goods are installed, operated and maintained in accordance with written manuals or other instructions for a period of 1 year from date of purchase on workmanship, motor, and parts. In case you, as our customer, meet any trouble with your machine, contact a Powr-Flite representative, who will be happy to be of service to you and will take care of any warranty issues.

Powr-Flite
COMMERCIAL FLOOR CARE EQUIPMENT