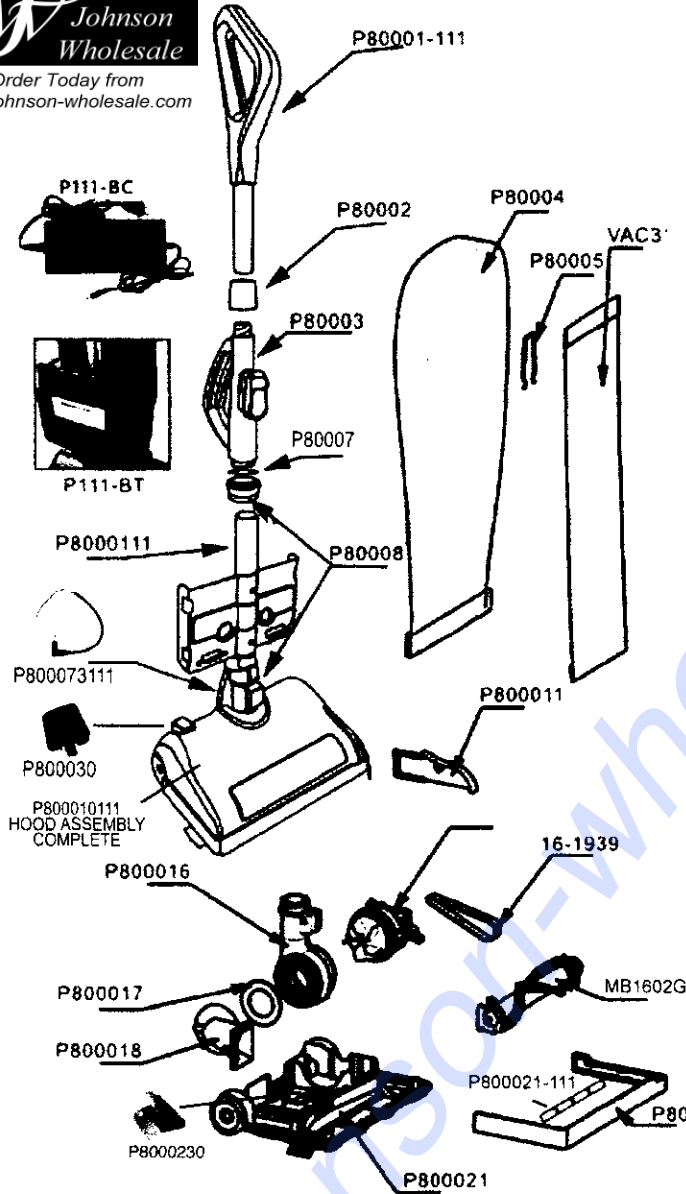


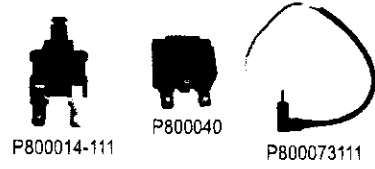
P109/ P111 BATTERY POWERED COMMERCIAL UPRIGHT PARTS LIST



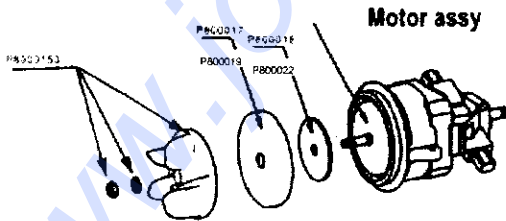
Order Today from
www.johnson-wholesale.com



PART NO.	DESCRIPTION
P80001-111	Handle tube with Battery Holder comp.
P80002	Upper retaining collar
P80003	Carry handle
P80004	Cloth Bag
P80005	Retaining clip
VAC31	HEPA Paper bag-9Pk
P80007	O ring
P80008	Lower retaining collar
P8000111	Lower tube assy-complete
P800010111	Hood assy complete
P800011	Belt cover
16-1939	Belt
P8000157-111	Motor assy
P800016	Air duct/swivel
P800017	Inlet duct gasket
P800018	Inlet duct
MB1602G	Brush roller
P800020111	Furniture guard
P800021	Base Plate comp.
P800021-111	Magnets-Set of 4
P8000230	Base Plate Detent Spring
P800073111	Bottom Power Cord
P111-BT	Battery
P111-BC	Charger
P800040	Rectifier
P800030	Foot Pedal with Spring
P800014-111	Switch
P8000230	Detent Spring

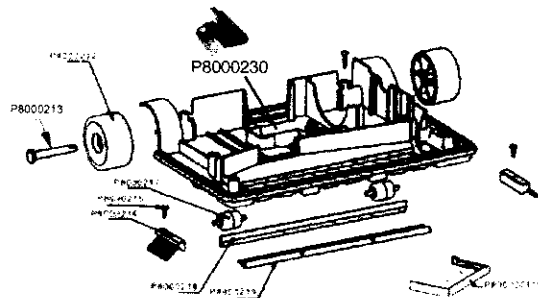


MOTOR ASSEMBLY



PART NO.	DESCRIPTION
P8000157-111	Motor Assembly Complete
P8000153	Fan Kit with Hardware
P800019	Metal Motor Cover

BASE PLATE COMPLETE



P800020111	Furniture Guard Comp. with Magnet
P800021	Base Plate Comp.
P8000212	Rear Wheel with oil bearing
P8000213	Rear Wheel Shaft
P8000215	Side Screw Brush
P8000216	Side Brush
P8000217	Front Roller Shaft
P8000218	Rubber Blade
P8000219	Bottom Metal Plate
P8000230	Base Plate Detent Spring