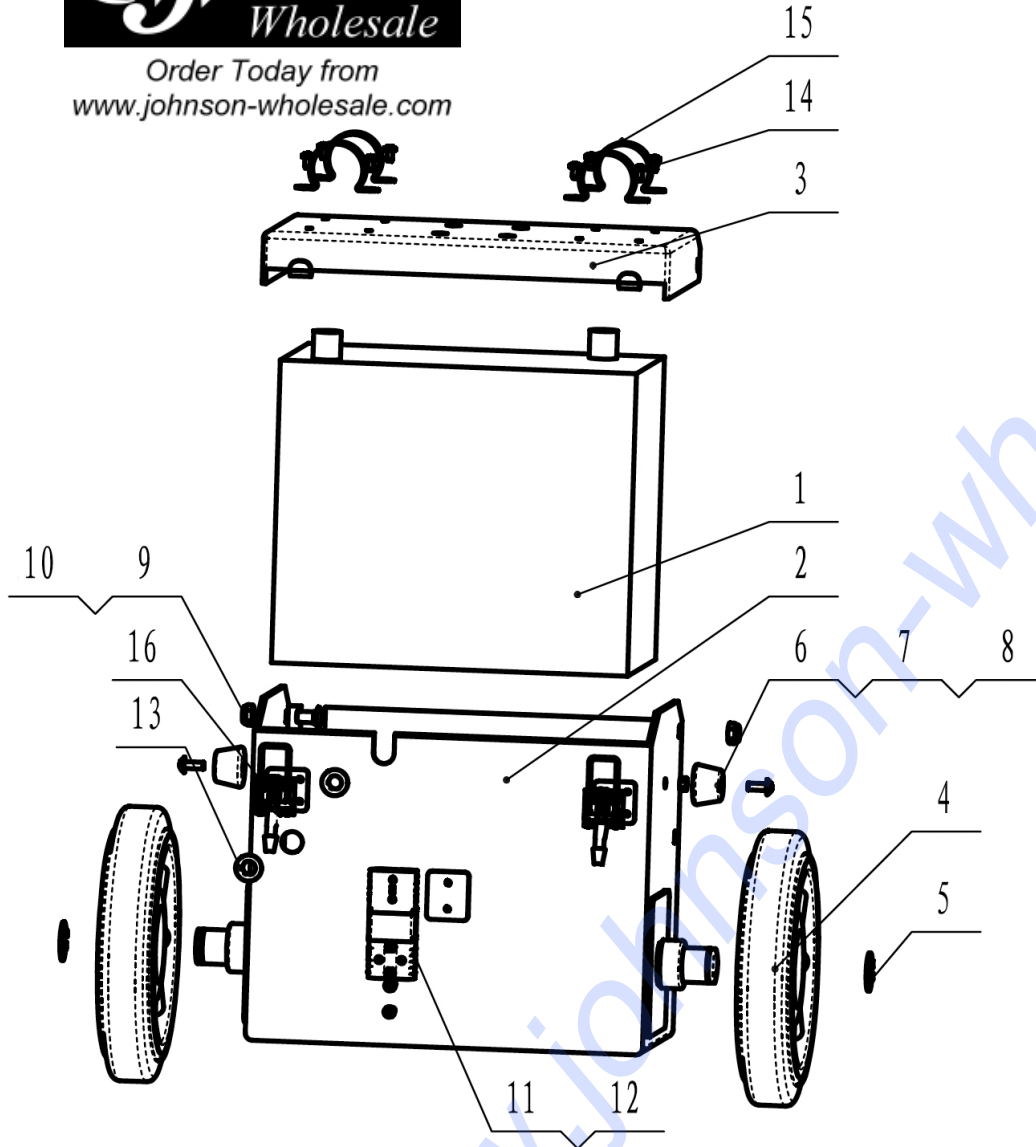


PERFECT AS202 SCHEMATICS



Order Today from
www.johnson-wholesale.com

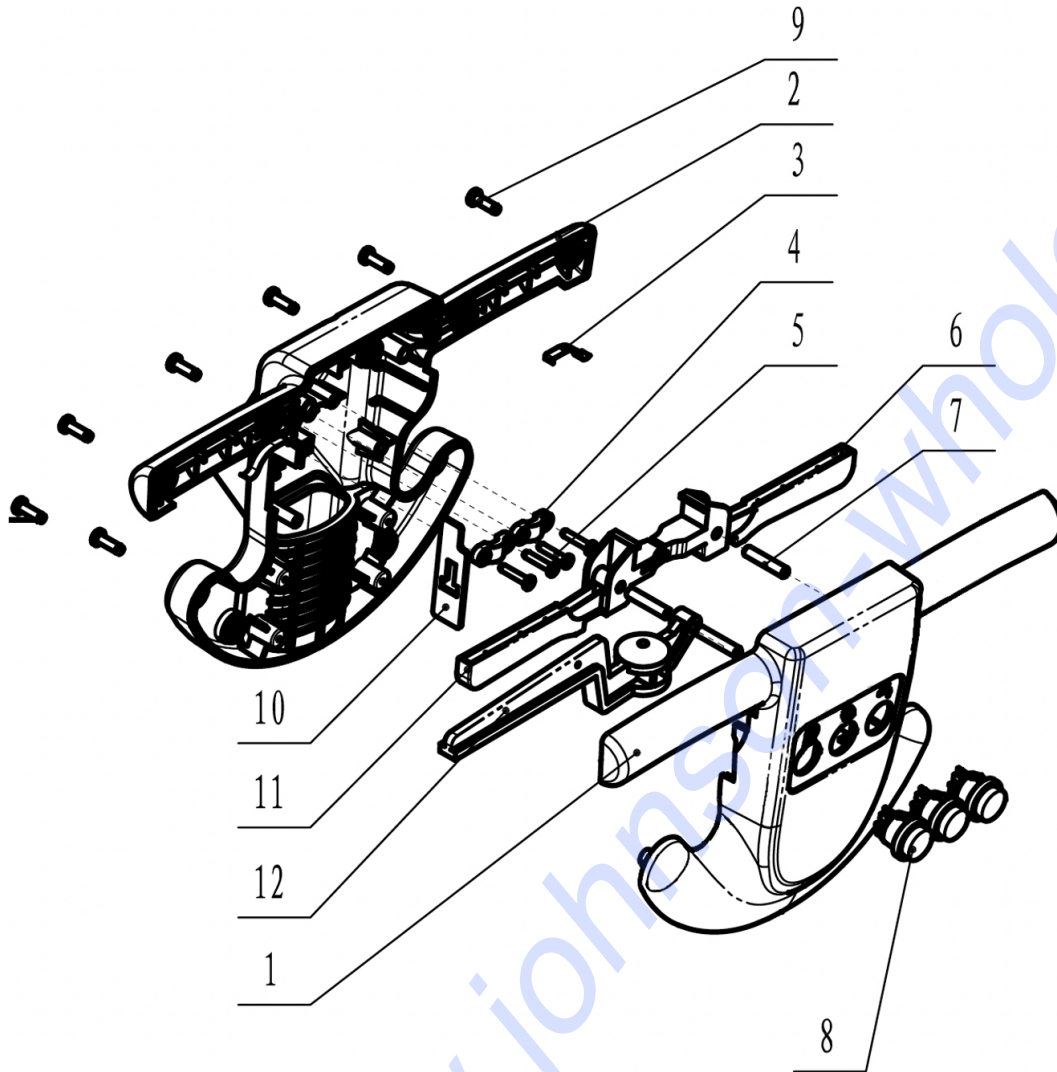
BATTERY COMPONENTS



16	32000940012	Quick connector
15	32001060017	Filter clamp
14	51006000362	Cross recessed pan head screw
13	31000110065	Protection wire
12	51006000390	Cross recessed pan head screw
11	33000250008	Terminal shell
10	51007000013	Locking nut
9	51006000347	Screw
8	51007000029	Nut
7	51006000355	Cross recessed pan head screw
6	31000120028	Foot pad
5	51002000019	Circlip for shafts
4	32000490082	Wheel
3	32000450080	Battery cover
2	32000290008	Battery box
1	33000210012	Battery

PERFECT AS202 SCHEMATICS

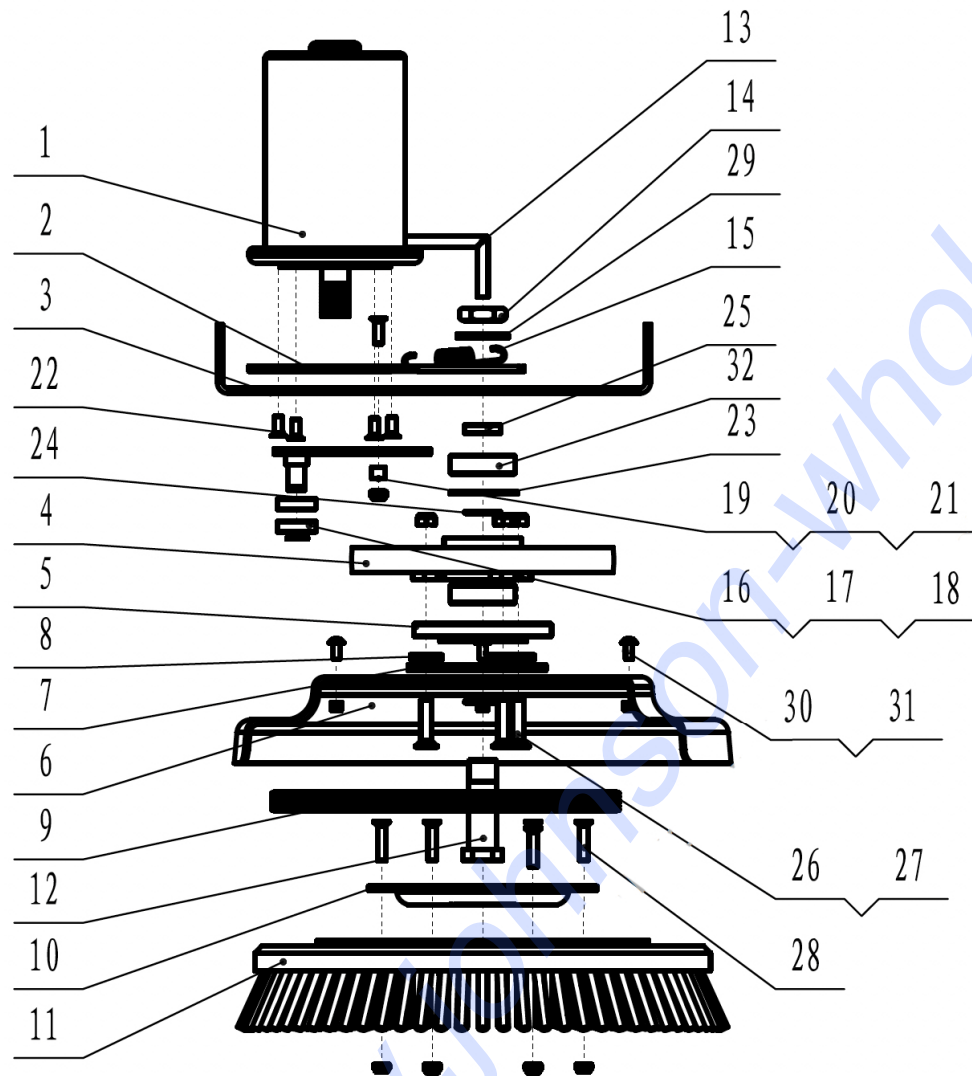
HANDLE COMPONENTS



12	31000660007	Handle adjustment switch
11	31000660028	Brush motor switch(Right)
10	31000320023	Handle adjustment switch catch
9	51006000340	Cross recessed pan head screw
8	33000050059	Rocker switch
7	32000060028	Pin
6	31000660025	Brush motor switch(Left)
5	51006000019	Screw
4	31000550002	Cable clamp
3	31000320022	Handle elastic strip
2	31000050135	Handle rear cover
1	31000050136	Handle front cover

PERFECT AS202 SCHEMATICS

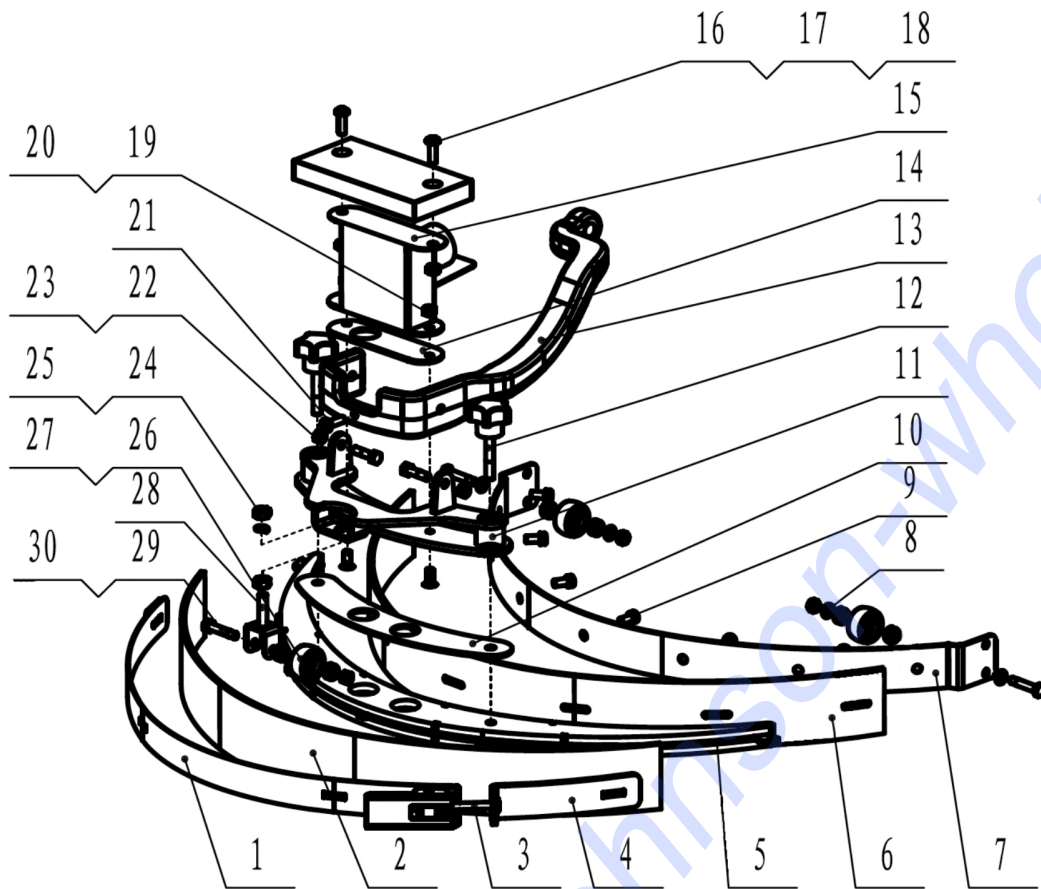
BRUSH COMPONENTS



32	32000470146	Groove bearing
31	51007000006	Locking nut
30	51006000342	Screw
29	51002000001	Circlips for hole
28	51006000152	Cross counter sunk screw
27	51007000013	Locking nut
26	51006000359	Cross counter sunk screw
25	51003000116	Bearing washer
24	51003000117	Bearing washer
23	51002000001	Circlips for hole
22	51006000288	Cross counter sunk screw
21	51007000040	Locking nut
20	51006000358	Cross counter sunk screw
19	32000710100	Adjustment plate shaft sleeve
18	51000200020	Circlip for shafts
17	32000470145	Groove bearing
16	32000440015	Belt adjustment weld
15	51020000087	Extension spring
14	51007000108	Hex bolt
13	32000890005	Solution outlet hose
12	51008000112	Bolt
11	22030110066	Brush (14")
10	32000730008	Q3 brush buckle
9	31000880011	Belt
8	32000020063	Three-blade pad
7	32000500046	q3 three-blade plate
6	31000050712	Protection cover
5	32000660127	Brush buckle fixed part
4	31000210066	Pulley
3	32000660246	Brush fixed plate
2	32000660247	Motor fixed plate
1	33000010203	Motor

PERFECT AS202 SCHEMATICS

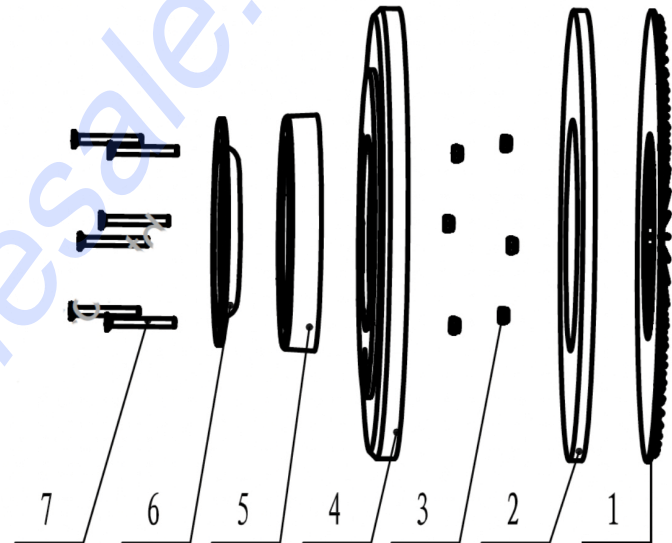
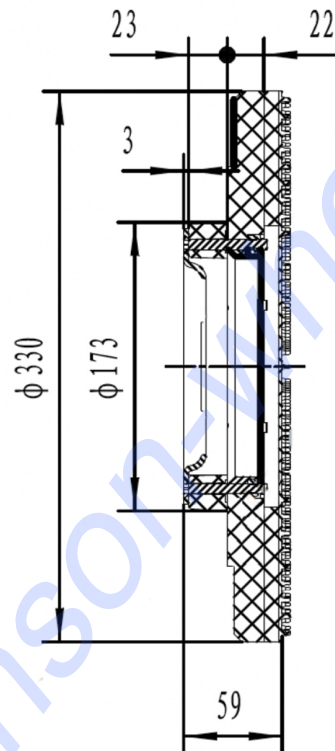
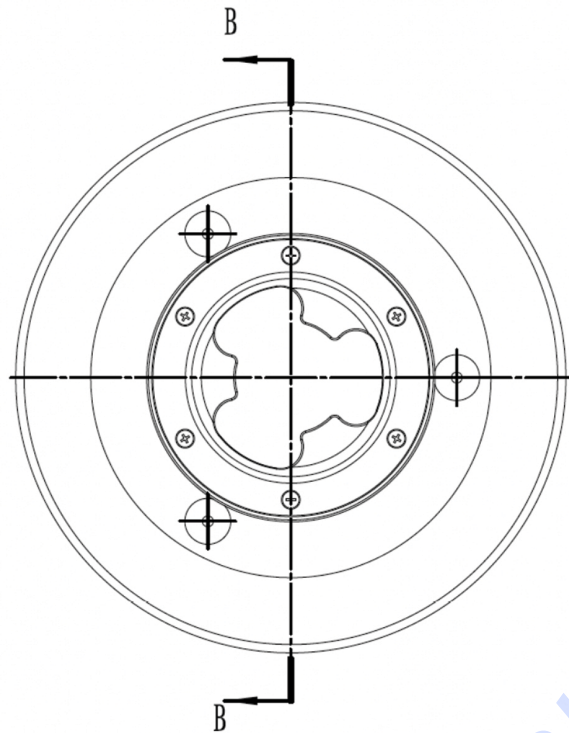
SQEEGEE COMPONENTS



30	51007000006	Locking nut
29	32000010009	Hex bolt
28	32000210265	Squeegee rear wheel support
27	32000120039	Groove bearing
26	31000210018	Roller wheel
25	51003000011	Spring washer
24	51007000007	Nut
23	51008000108	Hex bolt
22	51007000119	Hex bolt
21	51006000233	Cross recessed pan head screw
20	51007000005	Hex bolt
19	51006000402	Cross counter sunk screw
18	51007000006	Locking nut
17	32000220027	Weighted iron
16	51006000233	Cross recessed pan head screw
15	32000840004	Return channel
14	31000120069	Washer
13	32000410003	Revolving shaft
12	32000100023	Star nut
11	32000210264	Squeegee fixed rack
10	31000990007	Sealing ring
9	51006000240	Allen screw
8	51003000052	Plain washer
7	32000740027	Front squeegee
6	31000330202	Front squeegee
5	32000020064	Squeegee pad
4	32000740026	Side retaining strip(Short)
3	51008000017	Cross counter sunk screw
2	31000330201	Rear squeegee
1	32000740025	Rear retaining strip(Long)

PERFECT AS202 SCHEMATICS

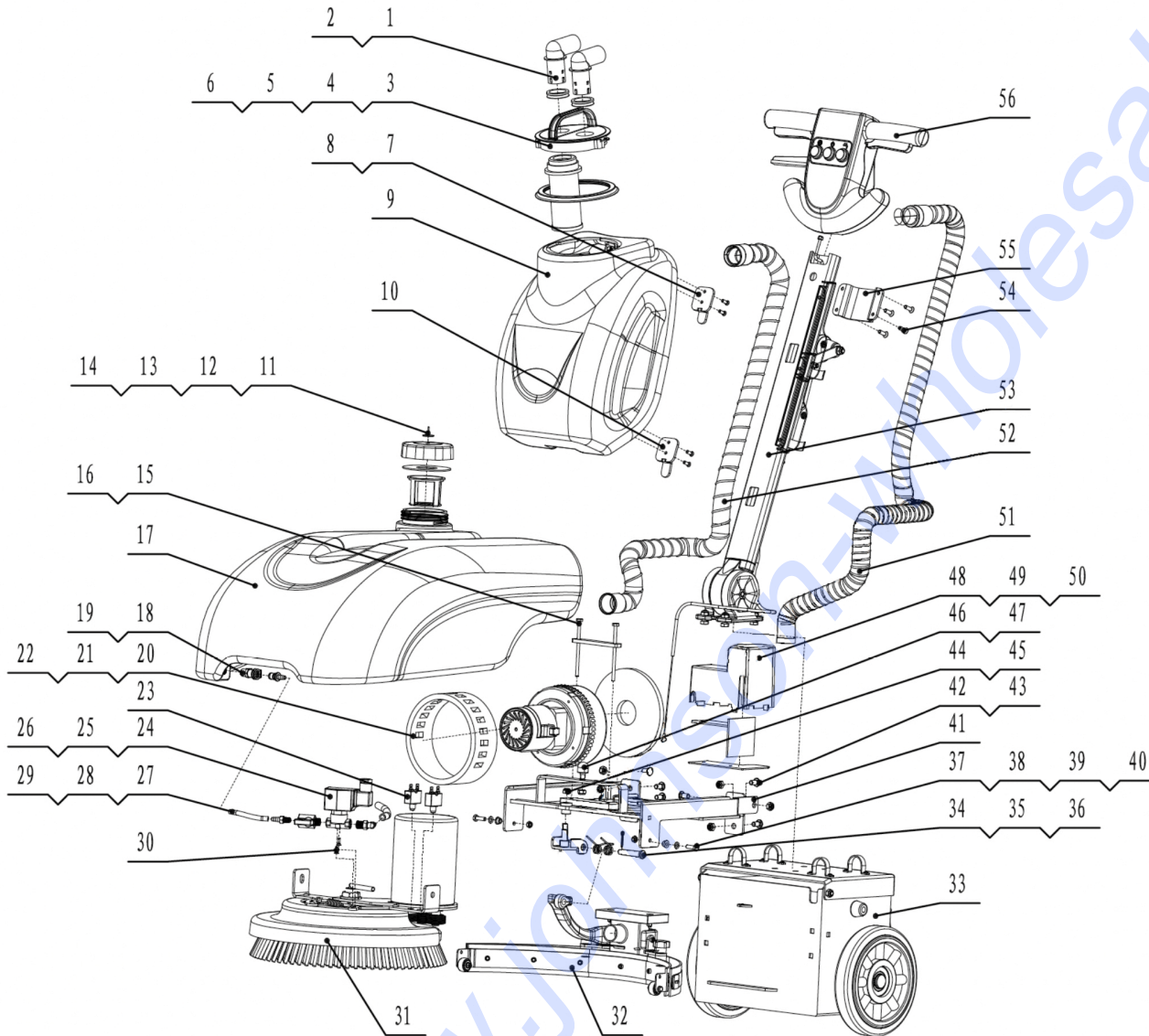
PAD DRIVE COMPONENTS



7	51006000172	Screw
6	32000730002	Brush buckle
5	31000990001	Washer
4	31000410016	Brush
3	51007000078	Locking nut
2	31000790059	Pad driver sponge
1	31000120038	Pincushion

PERFECT AS202 SCHEMATICS

TOTAL COMPONENTS



56	22220040003	Handle assembly
55	32000750002	Operation lever fixed retaining plate
54	51006000209	Cross counter sunk screw
53	22220180009	Operation lever adjustment assembly
52	31000150135	Vacuum hose
51	31000150175	Drain hose
50	31000200295	Capacitor cover plate
49	22220350009	Main PCB
48	31000050035	Capacitor cover
47	51007000115	Locking nut
46	32000470180	Solution tank fixed shaft
45	32000410004	Revolving shaft weld
44	51007000013	Locking nut
43	51007000013	Locking nut
42	51006000347	Screw
41	32000210217	Solution tank rack weld
40	51007000040	Locking nut
39	32000470148	Brush revolving sleeve
38	51003000097	Plain washer
37	51008000058	Hex bolt
36	51011000008	Cotter pin
35	51020000089	Spring
34	32000460137	Revolving shaft connection lever
33	22220930003	Battery box assembly
32	22220980029	Squeegee assembly
31	22220110004	Brush assembly
30	51006000280	Cross counter sunk screw
29	32000230003	Ball valve
28	31000470002	Connector
27	31000150093	Silicon tube
26	31000150093	Silicon tube
25	31000470003	Elbow connector
24	33000060009	Solenoid valve
23	33000170067	Overload protector
22	31000790108	Sponge - 1
21	33000010212	Vacuum motor
20	31000790109	Sponge - 2
19	31000470004	Quick connector - male
18	31000470001	Quick connector - female
17	31000740083	Solution tank
16	32000740019	Retaining strip
15	51008000134	Hex bolt
14	31000160013	Strainer
13	31000990003	Sealing washer
12	31000050033	Solution tank cover
11	31000910002	Single valve
10	32000540021	Long hook
9	31000740082	Recovery tank
8	51006000107	Cross counter sunk screw
7	32000540020	Short hook
6	31001040013	Sealing
5	32000400008	Strainer
4	31000840006	Strainer fixed ring
3	31000050710	Recovery tank cover
2	31000840004	Sealing ring
1	31000470017	Connector