

# ONLYX

TECHNOLOGY POWERING A CLEANER FUTURE



Order Today from  
[www.johnson-wholesale.com](http://www.johnson-wholesale.com)



**RX32**  
RIDE-ON FLOOR SCRUBBER

## ILLUSTRATED PARTS LIST

# TABLE OF CONTENTS

|                                |    |
|--------------------------------|----|
| <b>Brush Group</b>             | 3  |
| <b>Recovery Tank Group</b>     | 5  |
| <b>Solution Tank Group</b>     | 7  |
| <b>Head Group</b>              | 9  |
| <b>Control Panel Group</b>     | 11 |
| <b>Battery Group</b>           | 12 |
| <b>Base Group</b>              | 13 |
| <b>Drain Group</b>             | 14 |
| <b>Front Wheel Group</b>       | 15 |
| <b>Rear Wheel Group</b>        | 17 |
| <b>Brush Lifting Group</b>     | 18 |
| <b>Squeegee Assembly Group</b> | 19 |
| <b>Squeegee Lifting Group</b>  | 21 |
| <b>Filter Group</b>            | 23 |

## **How to order spare parts:**

Parts and supplies may be ordered by phone, by fax or by email.

- A. Identify the machine model
- B. Identify the machine serial number
- C. Provide the part number and quantity

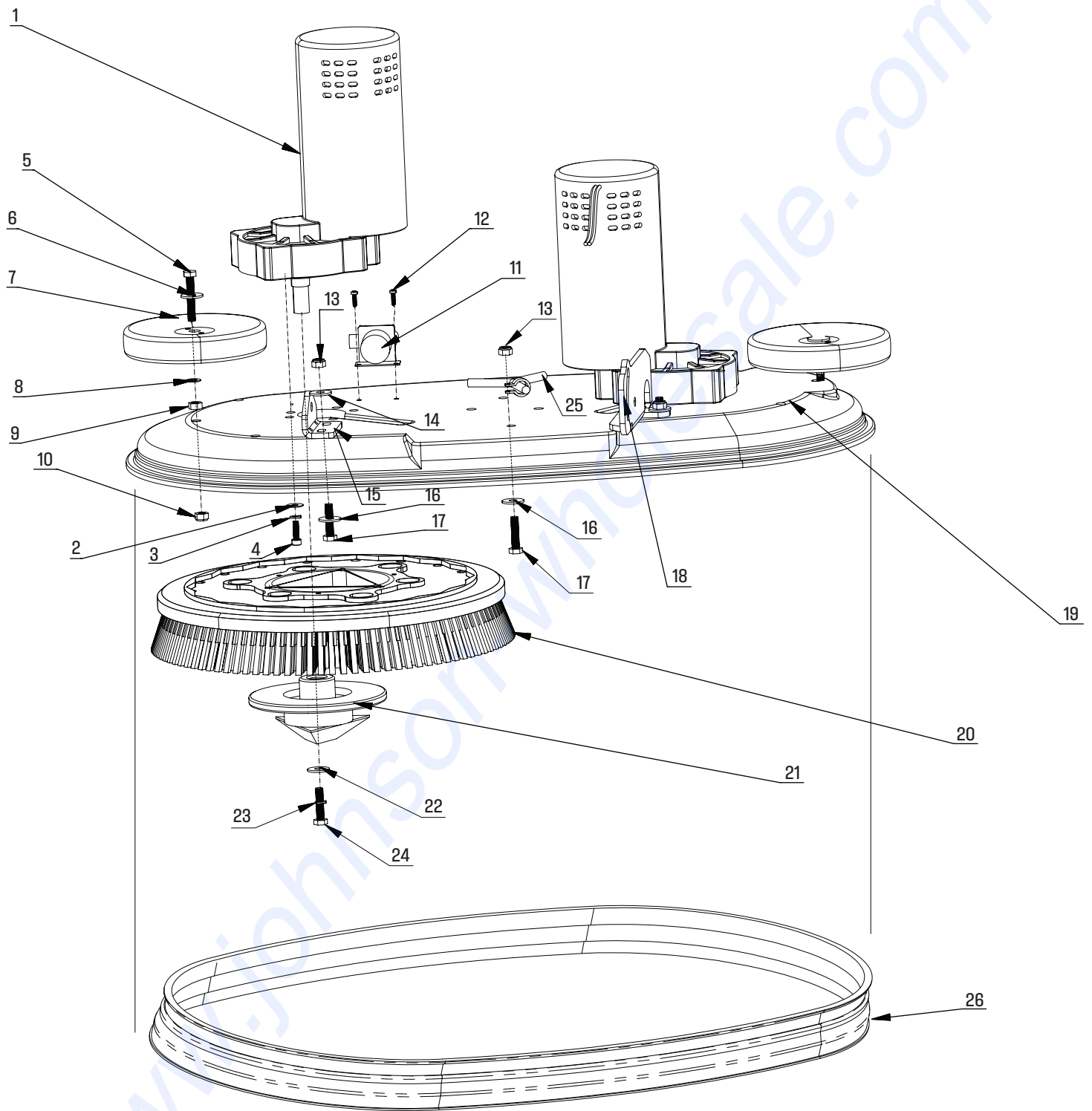
Provide your detail logistic information

Provide your name, company name, shipping address, phone number and purchase order number.



12605 Commerce Station Dr • Suite 700  
Huntersville, NC 28078  
704.827.9368

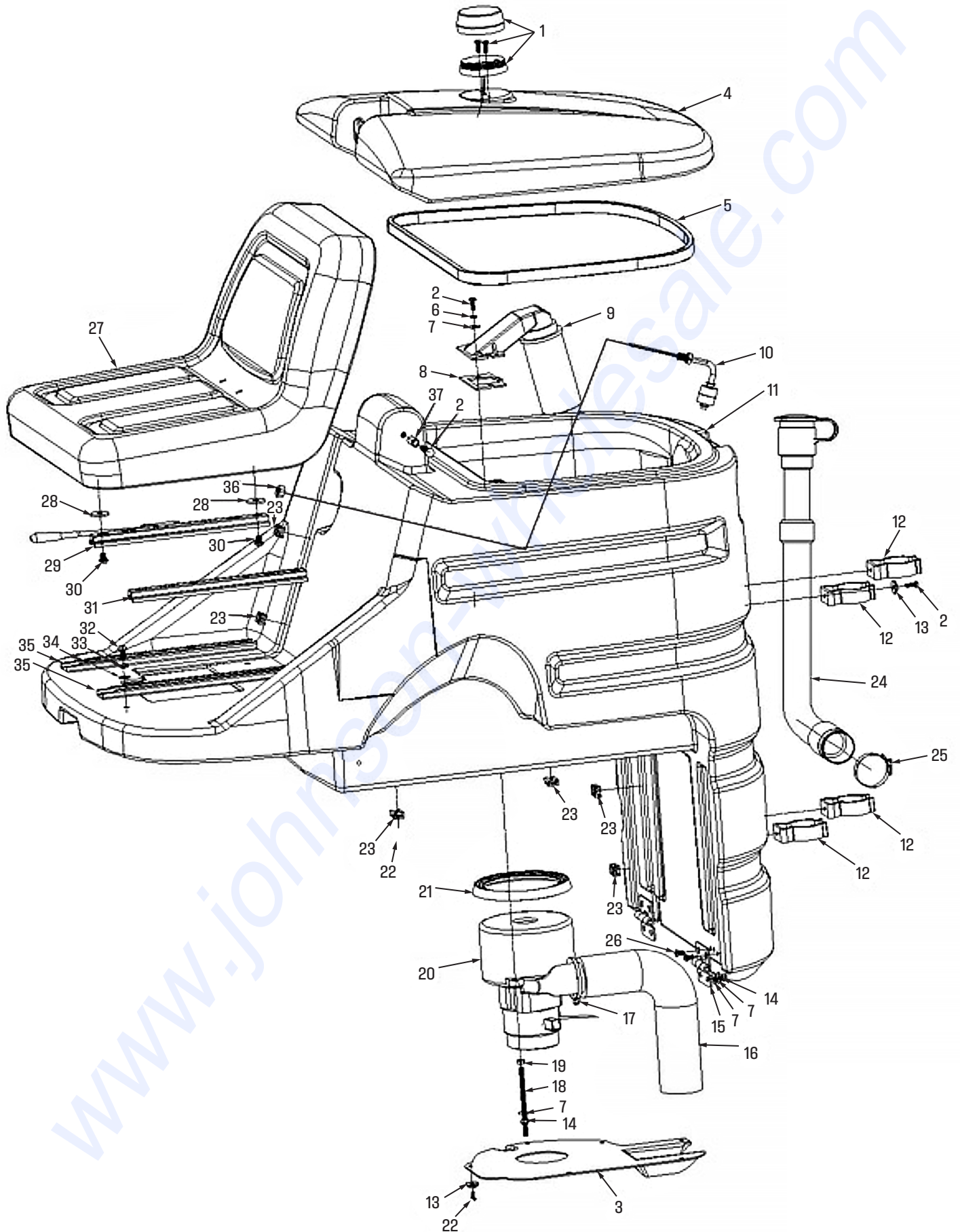
# BRUSH GROUP



# BRUSH GROUP

| No | Part No.      | Description               | Qty |
|----|---------------|---------------------------|-----|
| 1  | W12001        | Brush Motor HY224/TDS-001 | 1   |
| 2  | For Reference | Washer                    | 14  |
| 3  | For Reference | Spring Washer             | 14  |
| 4  | For Reference | Screw M6X20               | 14  |
| 5  | For Reference | Screw M8X50               | 2   |
| 6  | For Reference | Washer and Sleeve         | 2   |
| 7  | W10943        | Bumper Wheel              | 2   |
| 8  | For Reference | Washer                    | 2   |
| 9  | For Reference | Nut                       | 2   |
| 10 | For Reference | Nut, anti-skid            | 2   |
| 11 | W10818        | Solenoid Valve            | 1   |
| 12 | For Reference | 5x10 Screw, cross-shaped  | 2   |
| 13 | For Reference | Nut, anti-skid            | 5   |
| 14 | For Reference | Washer                    | 5   |
| 15 | W12004        | Brush Rocker Group 5      | 1   |
| 16 | For Reference | Washer                    | 5   |
| 17 | For Reference | Screw M8X35               | 5   |
| 18 | W12005        | Brush Rocker Group 6      | 1   |
| 19 | W12006        | Brush Cover               | 1   |
| 20 | W10860        | Brush                     | 2   |
| 21 | W10813        | Triangle Driver Flange    | 2   |
| 22 | W12009        | Washer                    | 2   |
| 23 | W12010        | Washer                    | 2   |
| 24 | W12011        | Screw M8x20               | 2   |
| 25 | W10982        | Tee Connection            | 1   |
| 26 | W10808        | Brush skirt               | 1   |

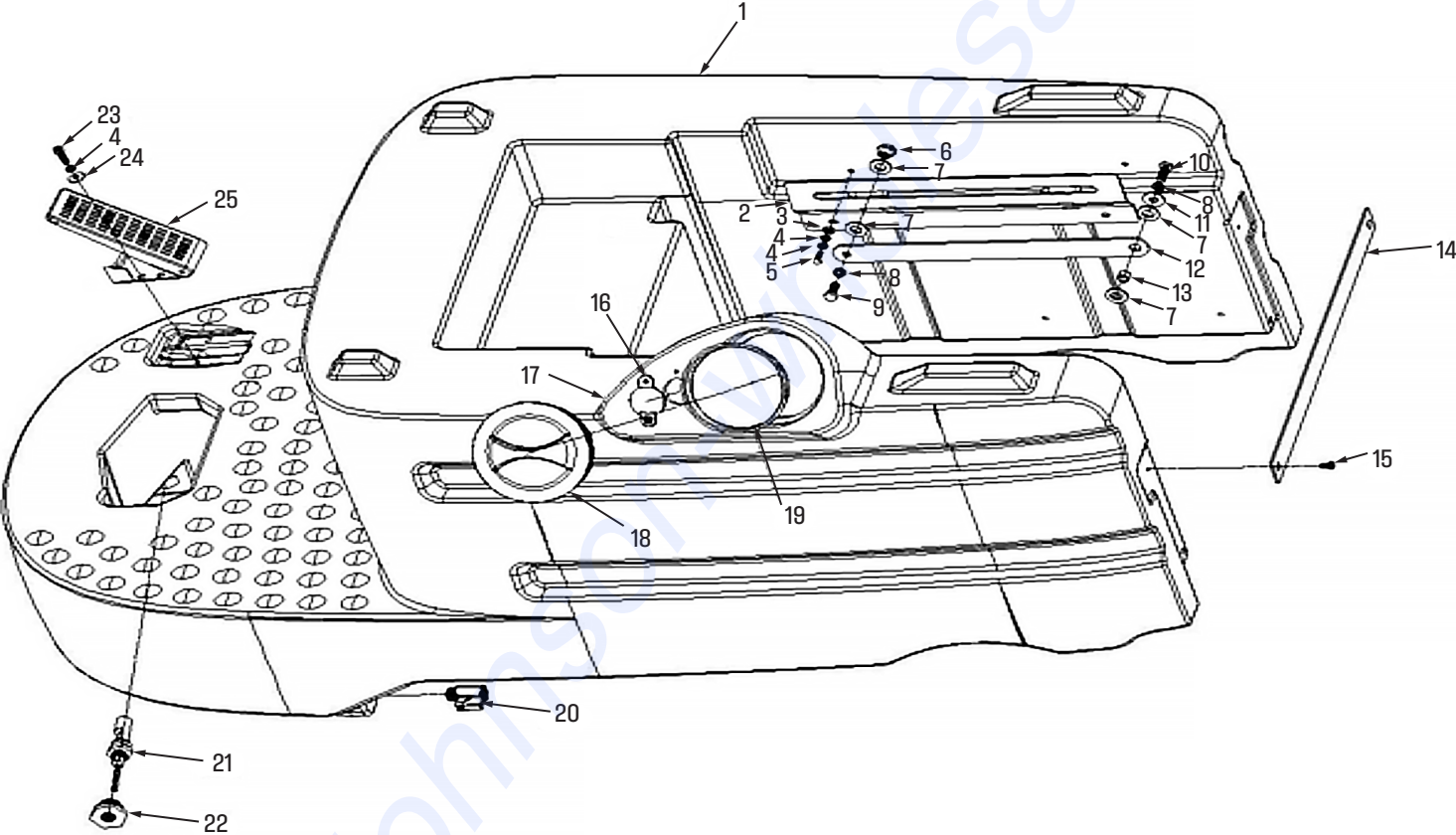
# RECOVERY TANK GROUP



# RECOVERY TANK GROUP

| No | Part No.      | Description                     | Qty |
|----|---------------|---------------------------------|-----|
| 1  | W12012        | Light 24v-1                     | 1   |
| 2  | For Reference | Screw M8×35                     | 2   |
| 3  | W12013        | Vacuum motor Muffer             | 1   |
| 4  | W12014        | Recovery tank Cover             | 1   |
| 5  | W10825        | Seal, Recovery tank Cover       | 1   |
| 6  | For Reference | Spring Washer D6                | 2   |
| 7  | For Reference | Washer D6 D18                   | 13  |
| 8  | W11011        | Seal, floating ball assembly-1  | 1   |
| 9  | W11006        | Floating ball assembly-1        | 1   |
| 10 | W12018        | Level switch-1, stainless steel | 1   |
| 11 | W12019        | Recovery tank                   | 1   |
| 12 | W10839        | Hose Clip-1                     | 4   |
| 13 | For Reference | Washer D5-D20-5                 | 10  |
| 14 | For Reference | Lock Nut M6                     | 7   |
| 15 | W12021        | Hinge 66-38                     | 2   |
| 16 | W12022        | Muffer pipe-1                   | 1   |
| 17 | For Reference | Strip 5MM                       | 1   |
| 18 | For Reference | Screw M6X110                    | 3   |
| 19 | For Reference | Nut M6                          | 3   |
| 20 | W12023        | Vacuum Motor 24V-1              | 1   |
| 21 | W12024        | Seal-1, Vacuum motor            | 1   |
| 22 | For Reference | Screw M4X10                     | 1   |
| 23 | W12025        | Wire Supporting Frame-1,        | 1   |
| 24 | W12026        | Drain pipe D38-890              | 1   |
| 25 | W12027        | Clip D40-D64                    | 1   |
| 26 | For Reference | Screw M6×10                     | 1   |
| 27 | W12028        | Seat                            | 1   |
| 28 | For Reference | Washer D8D28                    | 4   |
| 29 | W12029        | Slid Rail, Right                | 1   |
| 30 | For Reference | Screw M8×10                     | 4   |
| 31 | W12030        | Slid Rail, Left                 | 1   |
| 32 | For Reference | Screw M8×15                     | 4   |
| 33 | For Reference | Washer D8                       | 4   |
| 34 | For Reference | Washer D8D16                    | 1   |
| 35 | W12031        | Seat Pedestal                   | 2   |
| 36 | For Reference | Nut M10                         | 1   |
| 37 | For Reference | Shaft Sleeve D12D9-24           | 21  |

# SOLUTION TANK GROUP

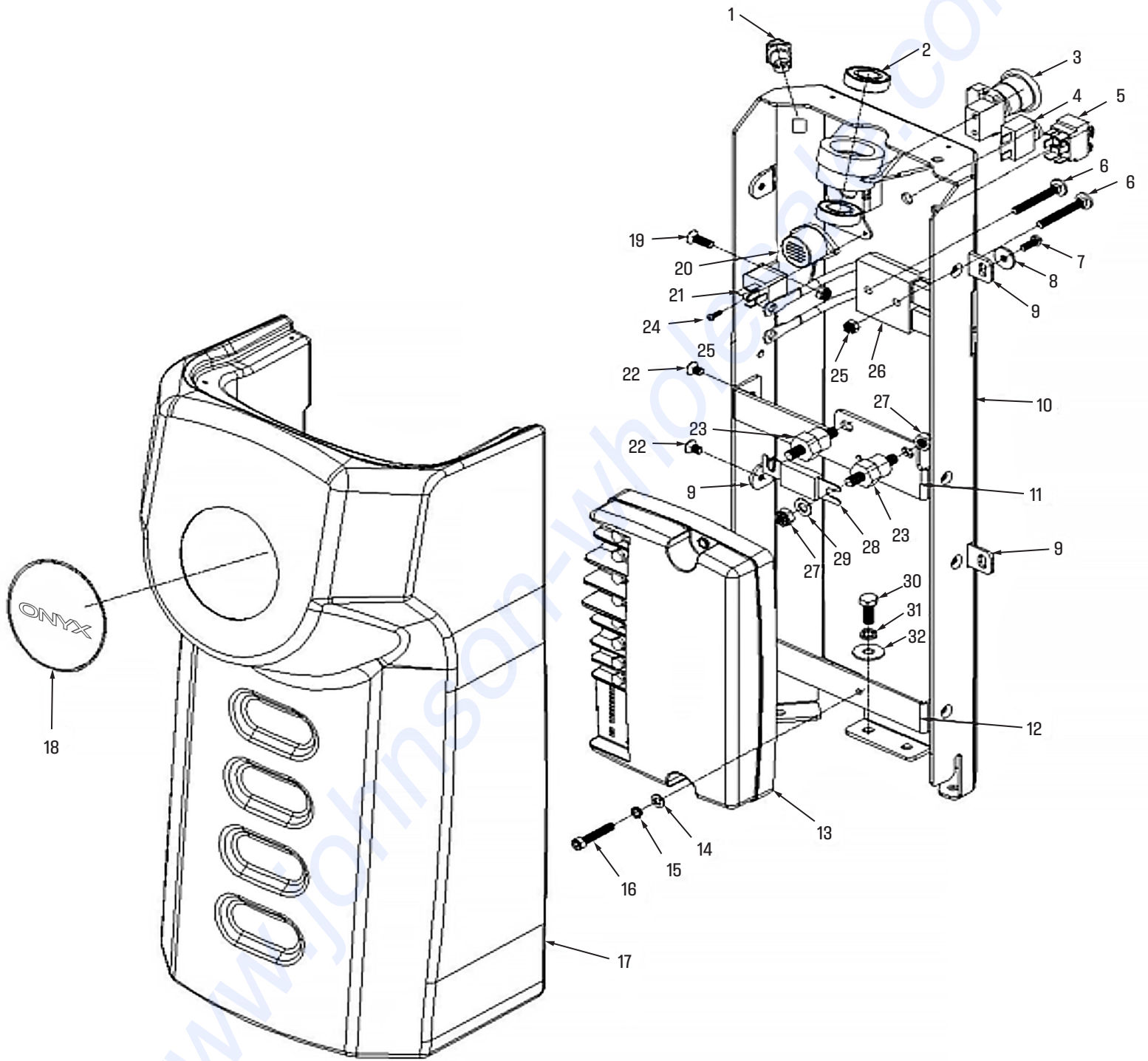


# SOLUTION TANK GROUP

| No | Part No.      | Description                      | Qty |
|----|---------------|----------------------------------|-----|
| 1  | W12032        | Solution Tank                    | 1   |
| 2  | W12033        | Slide Rail for Recovery tank     | 1   |
| 3  | For Reference | Washer M6                        | 2   |
| 4  | For Reference | Spring Washer M6                 | 6   |
| 5  | For Reference | Screw M5×15                      | 2   |
| 6  | For Reference | T nut M8-D12                     | 1   |
| 7  | For Reference | Plastic Washer D12D24            | 4   |
| 8  | For Reference | Spring Washer D8                 | 2   |
| 9  | For Reference | Screw M8×20                      | 1   |
| 10 | For Reference | Screw M8×25                      | 1   |
| 11 | For Reference | Washer D8×D24                    | 1   |
| 12 | W12034        | Bracke for Recovery tank         | 1   |
| 13 | W12035        | Sleeve D12D9-9                   | 1   |
| 14 | W12036        | Connectiion plate, Solution Tank | 1   |
| 15 | For Reference | Screw M5×10                      | 1   |
| 16 | W11034        | Small Cap,Solution Tank          | 1   |
| 17 | For Reference | Screw M4×15                      | 1   |
| 18 | W10877        | Large Cap, Slotion Tank          | 1   |
| 19 | W10826        | Fresh water fliter Screen D112   | 1   |
| 20 | W11124        | Water Valve 3/8"-304             | 1   |
| 21 | W12041        | Plastic level switch-1           | 1   |
| 22 | W12042        | Thread M28-M16, inside           | 1   |
| 23 | W12043        | Screw M8×25                      | 1   |
| 24 | W12044        | Washer D6×D18                    | 2   |
| 25 | W12045        | Accelerator                      | 1   |



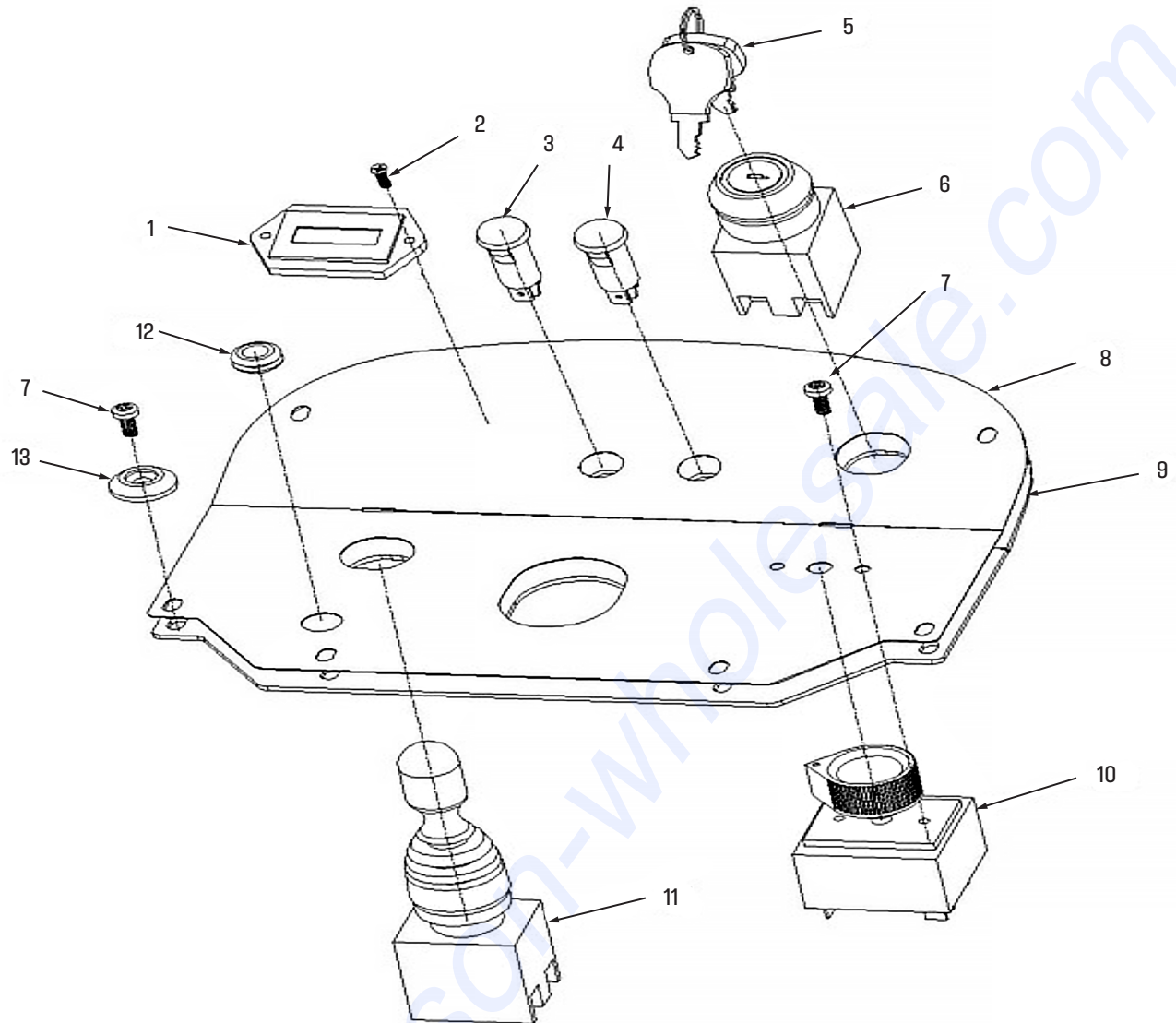
# HEAD GROUP



# HEAD GROUP

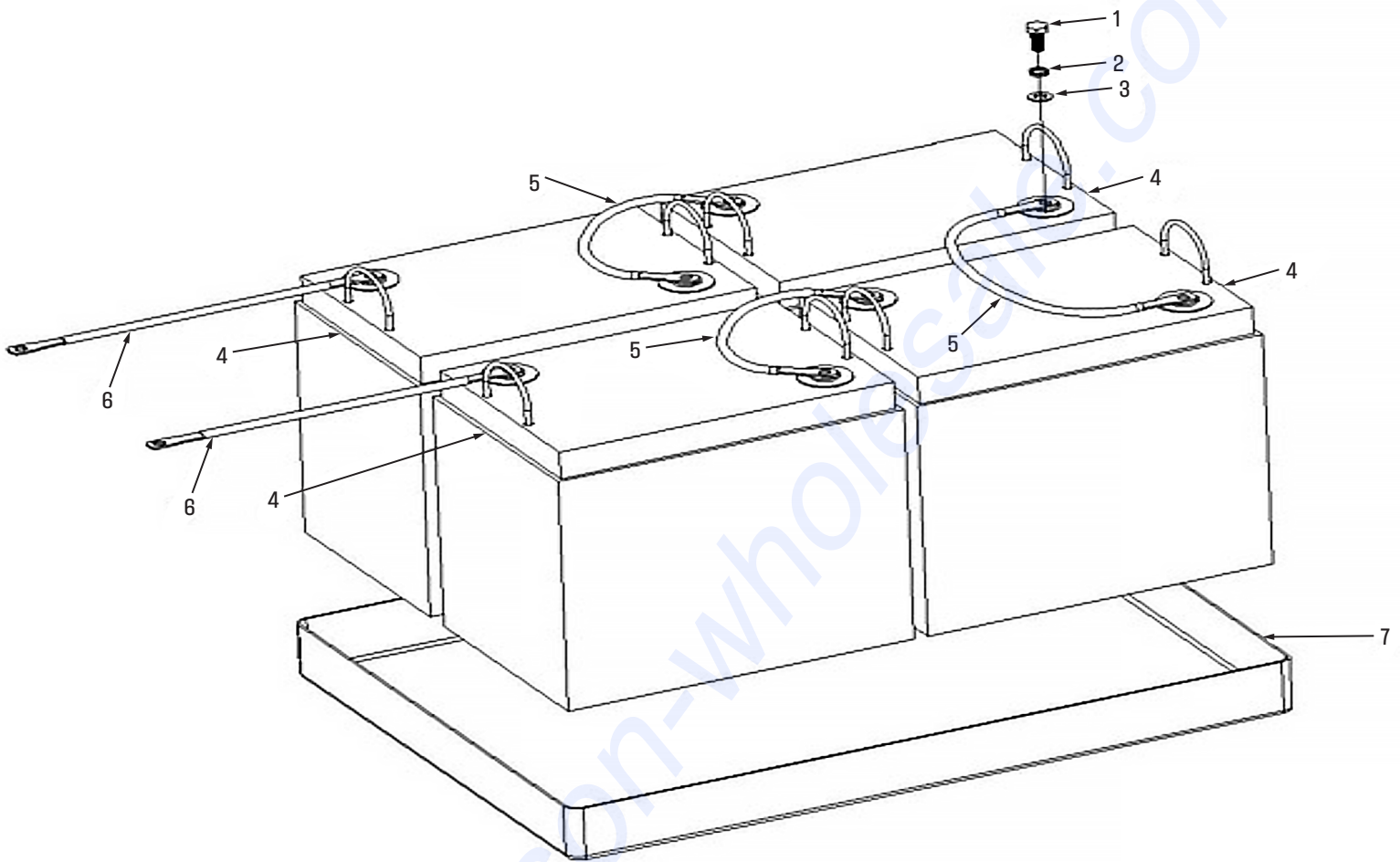
| No | Part No.      | Description                          | Qty |
|----|---------------|--------------------------------------|-----|
| 1  | W12325        | Alarm button                         | 1   |
| 2  | W12047        | Bearing 6003-D35D17-10               | 72  |
| 3  | W12205        | Emergency stop button                | 1   |
| 4  | W10816-5A     | Thermal Protection-5A                | 1   |
| 5  | W12050        | Brush Pressure Switch                | 1   |
| 6  | For Reference | Screw M6x50                          | 2   |
| 7  | For Reference | Screw M5X15                          | 4   |
| 8  | For Reference | Platics Washer D5-D20-5              | 4   |
| 9  | W12051        | Front coloum lock piece              | 4   |
| 10 | W12052        | Front coloum metal piece             | 1   |
| 11 | W12053        | Controller fixing plate, top         | 1   |
| 12 | W12054        | Controller fixing plate, bottom      | 1   |
| 13 | W12055        | Controller TRID-HD-150/J150-51088-HY | 1   |
| 14 | For Reference | Wahser D6XD12                        | 2   |
| 15 | For Reference | Spring Washer D6                     | 2   |
| 16 | For Reference | Screw M6X35                          | 2   |
| 17 | W12056        | Front Coloum                         | 1   |
| 18 | W12057        | Logo sticker D100                    | 1   |
| 19 | For Reference | Screw M6X20                          | 1   |
| 20 | W12058        | Buzzer-1                             | 1   |
| 21 | W12059        | Realy 24V-1                          | 1   |
| 22 | For Reference | Screw M6X10                          | 6   |
| 23 | W12060        | Wiring termal-1                      | 2   |
| 24 | For Reference | Screw M3X10                          | 2   |
| 25 | For Reference | Anti-skid nut M6                     | 3   |
| 26 | W10820        | power socket                         | 1   |
| 27 | W12062        | Anti-skid nut M8                     | 4   |
| 28 | W10819-150    | Fuse 150A                            | 1   |
| 29 | For Reference | Washer D8XD16                        | 2   |
| 30 | For Reference | Screw M8X20                          | 4   |
| 31 | For Reference | Spring Washer D8                     | 4   |
| 32 | For Reference | Washer D8XD24                        | 4   |

# CONTROL PANEL



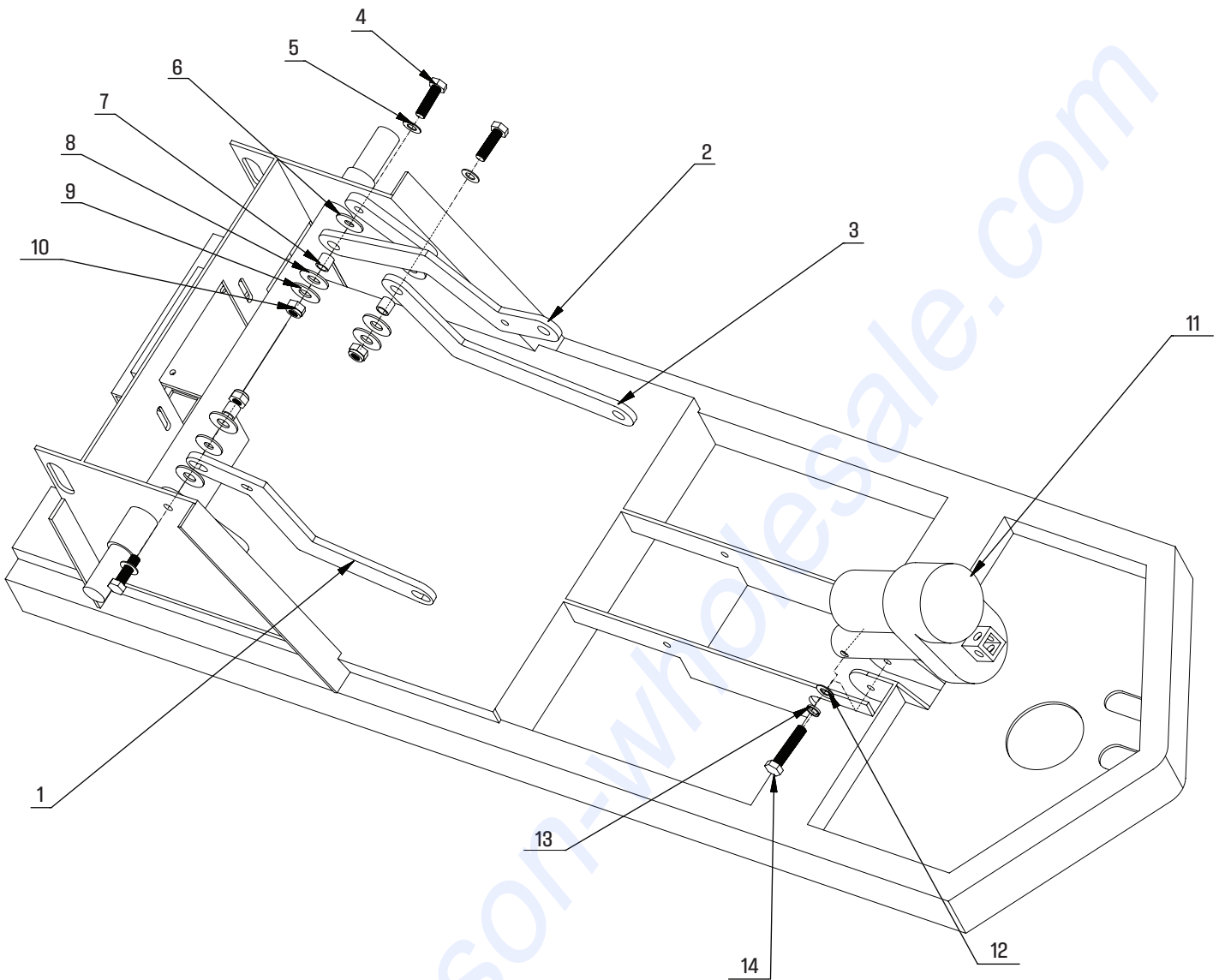
| No | Part No.      | Description             | Qty |
|----|---------------|-------------------------|-----|
| 1  | W12064        | Power meter-1           | 1   |
| 2  | For Reference | Screw M3X10             | 2   |
| 3  | W12065        | Yellow Indicator Light  | 1   |
| 4  | W12066        | Red Indicator Light     | 1   |
| 5  | W10853        | Key                     | 1   |
| 6  | W10817        | Lock                    | 1   |
| 7  | For Reference | Screw M4X10             | 8   |
| 8  | W12069        | Panel Sticker           | 1   |
| 9  | W12070        | Panel                   | 1   |
| 10 | W12071        | Forward/backward switch | 1   |
| 11 | W12072        | Rotary Switch           | 1   |
| 12 | W12073        | Rubber ring             | 1   |
| 13 | W12074        | Plastic Washer D5-D20-5 | 6   |

# BATTERY GROUP



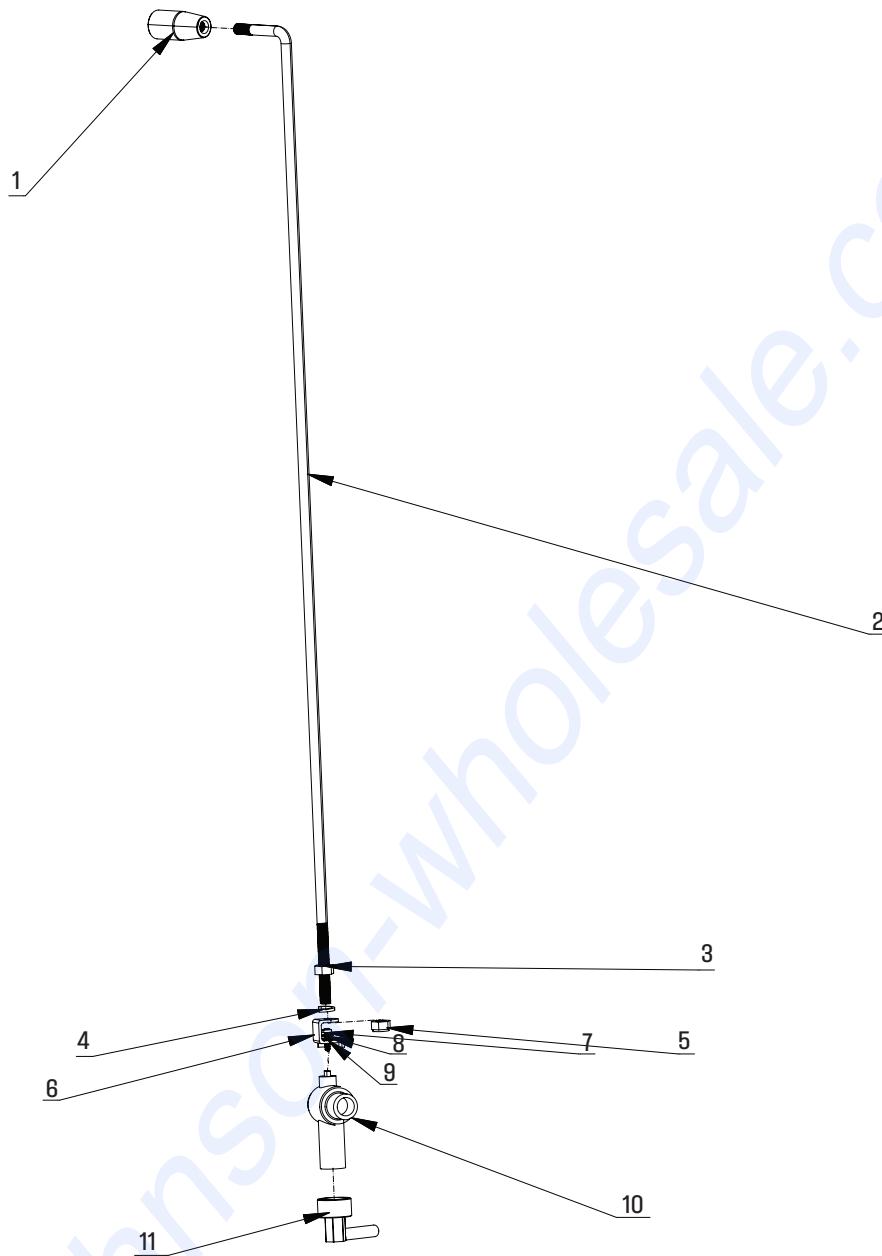
| No | Part No.      | Description                   | Qty |
|----|---------------|-------------------------------|-----|
| 1  | For Reference | Screw M10×45                  | 8   |
| 2  | For Reference | Spring Washer D8              | 8   |
| 3  | For Reference | Washer D8×D16                 | 8   |
| 4  | W10878        | Battery 6V-01                 | 4   |
| 5  | W11145        | Battery wiring-1              | 3   |
| 6  | W12077        | Battery wiring to the machine | 2   |
| 7  | W12078        | Battery tray                  | 1   |

# BASE GROUP



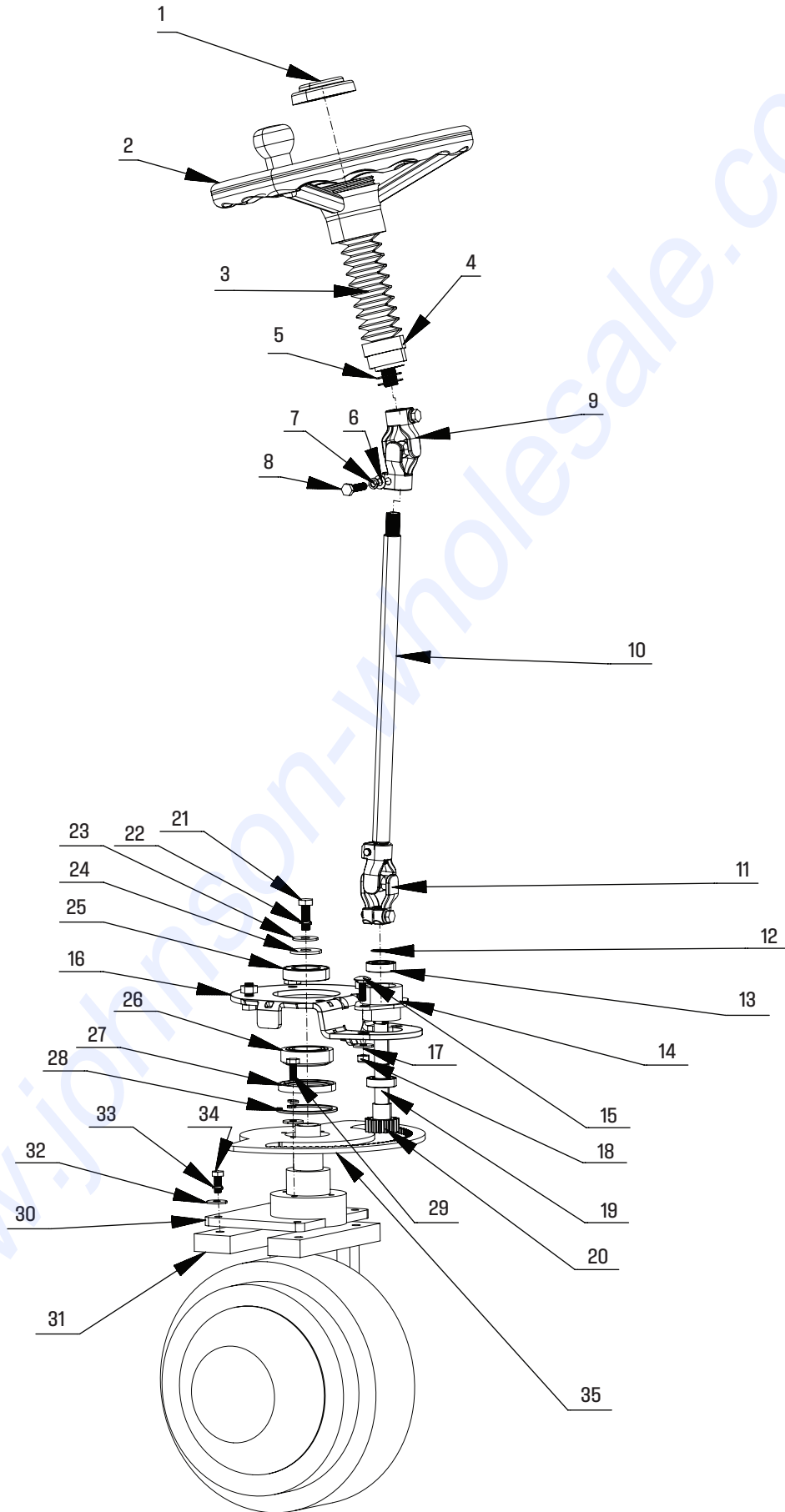
| No | Part No.      | Description              | Qty |
|----|---------------|--------------------------|-----|
| 1  | W12079        | Upper Rocker, right side | 1   |
| 2  | W12080        | Upper Rocker, left side  | 1   |
| 3  | W12081        | Lower Rocker, Left side  | 1   |
| 4  | For Reference | Hex Bolt 10×45           | 3   |
| 5  | For Reference | Washer                   | 3   |
| 6  | For Reference | Nylon washer             | 3   |
| 7  | W12082        | Copper sleeve            | 3   |
| 8  | For Reference | Nylon washer             | 3   |
| 9  | For Reference | Washer                   | 3   |
| 10 | For Reference | Anti-skid nut M10        | 3   |
| 11 | W12083        | Lifting motor, brush     | 3   |
| 12 | For Reference | Washer                   | 1   |
| 13 | For Reference | Spring washer            | 1   |
| 14 | W12084        | Screw 8×50               | 1   |

# DRAIN GROUP



| No | Part No.      | Description            | Qty |
|----|---------------|------------------------|-----|
| 1  | W12227        | Water lever handle-01  | 1   |
| 2  | W12086        | Water lever            | 1   |
| 3  | For Reference | M8 Nut                 | 1   |
| 4  | For Reference | Spring washer D8       | 1   |
| 5  | For Reference | Anti-skid nut M8       | 1   |
| 6  | W12087        | Bracket of Water lever | 1   |
| 7  | For Reference | 3x15 Screw             | 1   |
| 8  | For Reference | Washer                 | 1   |
| 9  | For Reference | Washer                 | 1   |
| 10 | W12088        | Water Valve            | 1   |
| 11 | W12089        | Cooper elbow           | 1   |

# FRONT WHEEL GROUP

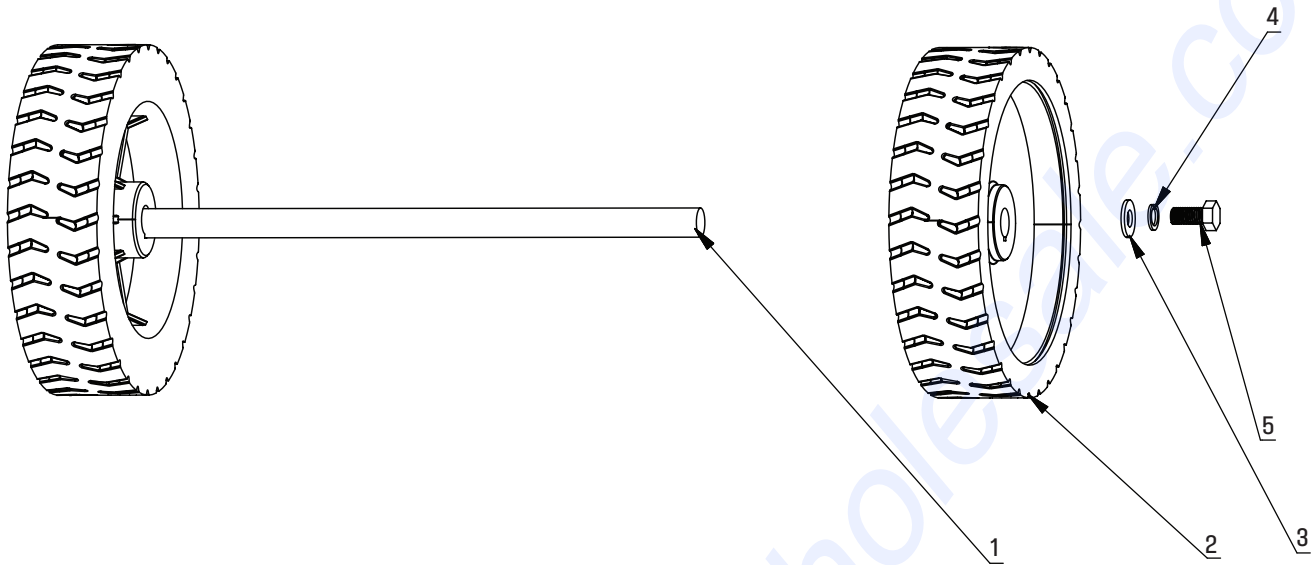


# FRONT WHEEL GROUP

| No | Part No.      | Description                     | Qty |
|----|---------------|---------------------------------|-----|
| 1  | W12090        | Cover,Steering Wheel            | 11  |
| 2  | W12091        | Steering wheel                  | 1   |
| 3  | W12092        | Protecting Bush-1               | 1   |
| 4  | W12093        | Shaft, steering wheel           | 1   |
| 5  | For Reference | Washer D16D30-1                 | 1   |
| 6  | For Reference | Washer                          | 4   |
| 7  | For Reference | Spring Washer D8                | 4   |
| 8  | For Reference | Screw M8X30                     | 4   |
| 9  | W12094        | Cardan Joint                    | 1   |
| 10 | W12095        | Shaft, Steering wheel           | 1   |
| 11 | W12096        | Cardon Joint                    | 1   |
| 12 | W12097        | Clamp spring D17                | 1   |
| 13 | W12098        | Bearing 6003-D35D17-1           | 1   |
| 14 | W12099        | Gear support                    | 1   |
| 15 | For Reference | Screw M6x20                     | 1   |
| 16 | W12100        | Supporting Seat of bearing      | 1   |
| 17 | For Reference | Washer                          | 1   |
| 18 | For Reference | M6 Lock Nut                     | 1   |
| 19 | W12101        | Bearing 6003-D35D17-10          | 1   |
| 20 | W12102        | Gear Shaft                      | 1   |
| 21 | For Reference | Screw M10X30                    | 1   |
| 22 | For Reference | Spring Washer                   | 1   |
| 23 | For Reference | Washer                          | 1   |
| 24 | For Reference | Washer                          | 1   |
| 25 | W12103        | Bearing 6006-D55D30-13          | 1   |
| 26 | W12104        | Bearing 32007X-D62D35-18        | 1   |
| 27 | W12105        | Oil seal TC 52-68-8             | 1   |
| 28 | W12106        | Inner Clamp spring D68          | 1   |
| 29 | W12107        | M6x20 Spring Washer             | 3   |
| 30 | W12108        | Fixing plate, front wheel       | 1   |
| 31 | W12109        | Front wheel with traction motor | 1   |
| 32 | For Reference | Washer                          | 4   |
| 33 | For Reference | Spring Washer                   | 4   |
| 34 | For Reference | Screw 10x30                     | 4   |
| 35 | W12110        | Gear plate                      | 1   |

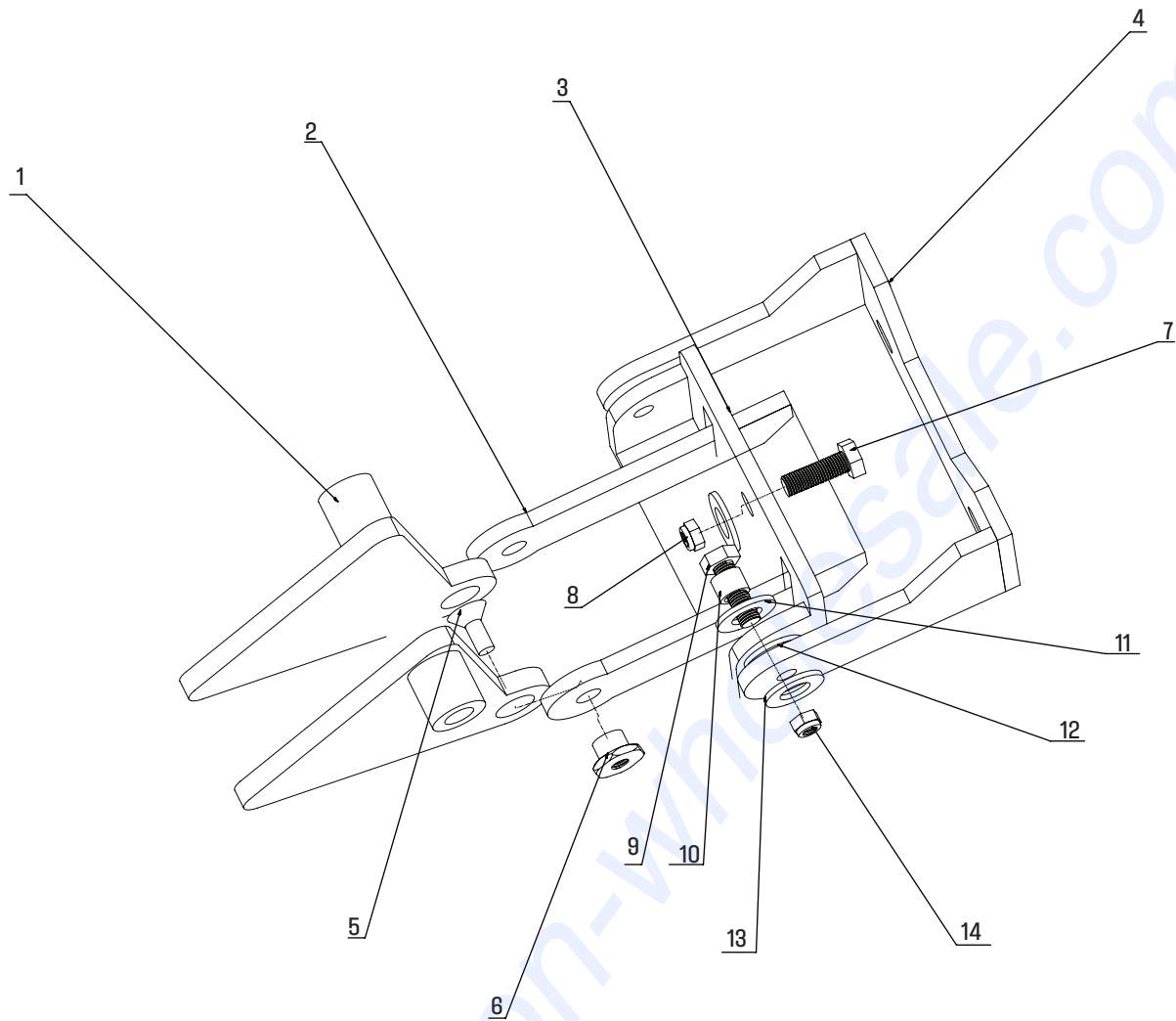


# REAR WHEEL GROUP



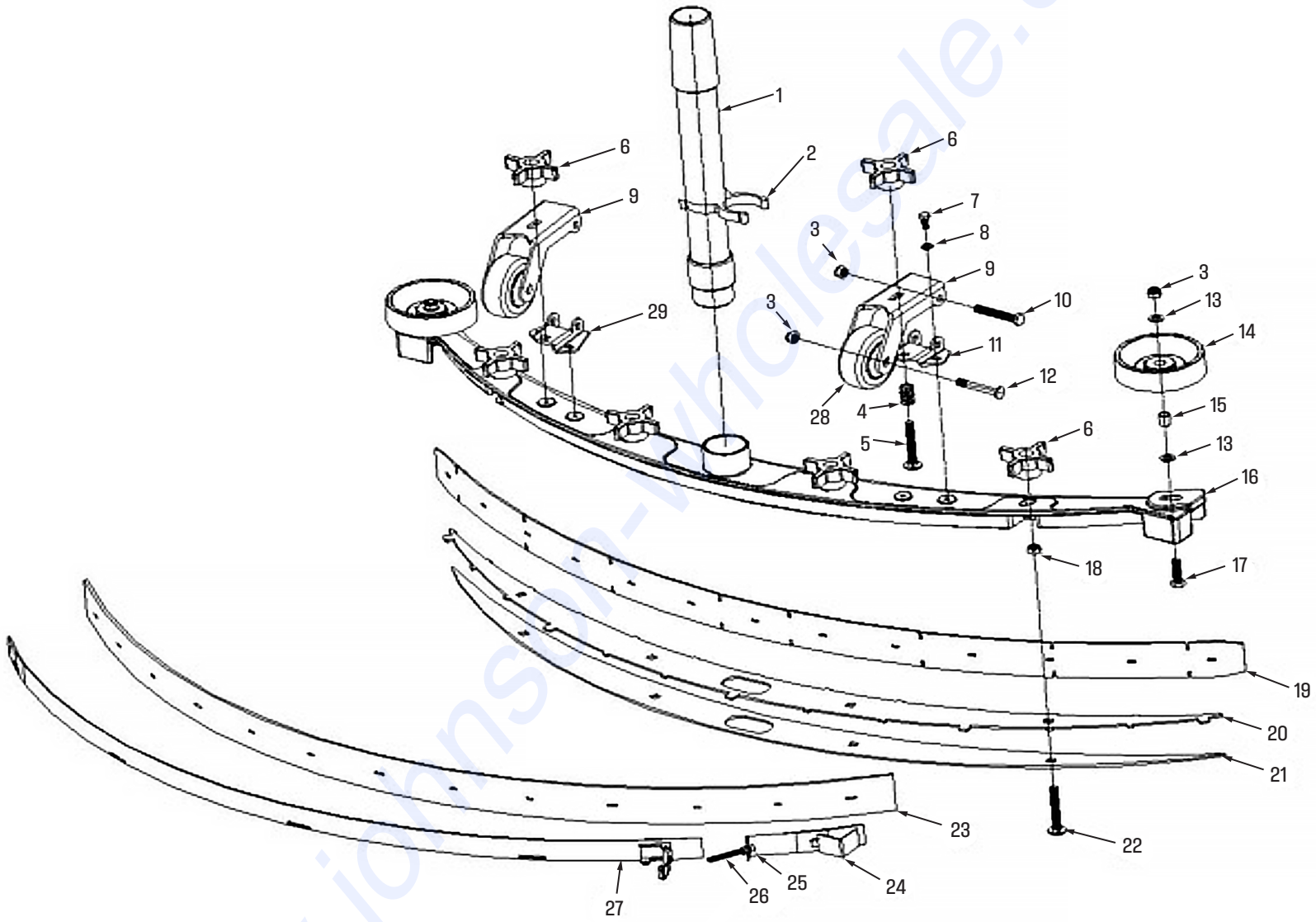
| No | Part No.      | Description      | Qty |
|----|---------------|------------------|-----|
| 1  | W12111        | Rear Wheel Shaft | 11  |
| 2  | W12112        | Rear Wheel       | 2   |
| 3  | For Reference | Washer           | 2   |
| 4  | For Reference | Spring           | 2   |
| 5  | For Reference | Screw M10×25     | 2   |

# BRUSH LIFTING GROUP



| No | Part No.      | Description        | Qty |
|----|---------------|--------------------|-----|
| 1  | W12114        | Frame-1            | 1   |
| 2  | W12115        | Frame-2            | 1   |
| 3  | W12116        | Frame-3            | 1   |
| 4  | W12117        | Frame-4            | 1   |
| 5  | For Reference | Screw 8×20         | 2   |
| 6  | For Reference | Nut M8             | 2   |
| 7  | For Reference | Screw 10×20        | 1   |
| 8  | For Reference | 10M Nut and washer | 1   |
| 9  | For Reference | Screw 8×30         | 2   |
| 10 | W12118        | Copper sleeve      | 2   |
| 11 | For Reference | M8 Nylon washer    | 2   |
| 12 | For Reference | M8 Nylon washer    | 2   |
| 13 | For Reference | M8 Washer          | 2   |
| 14 | For Reference | M8 Nut             | 2   |

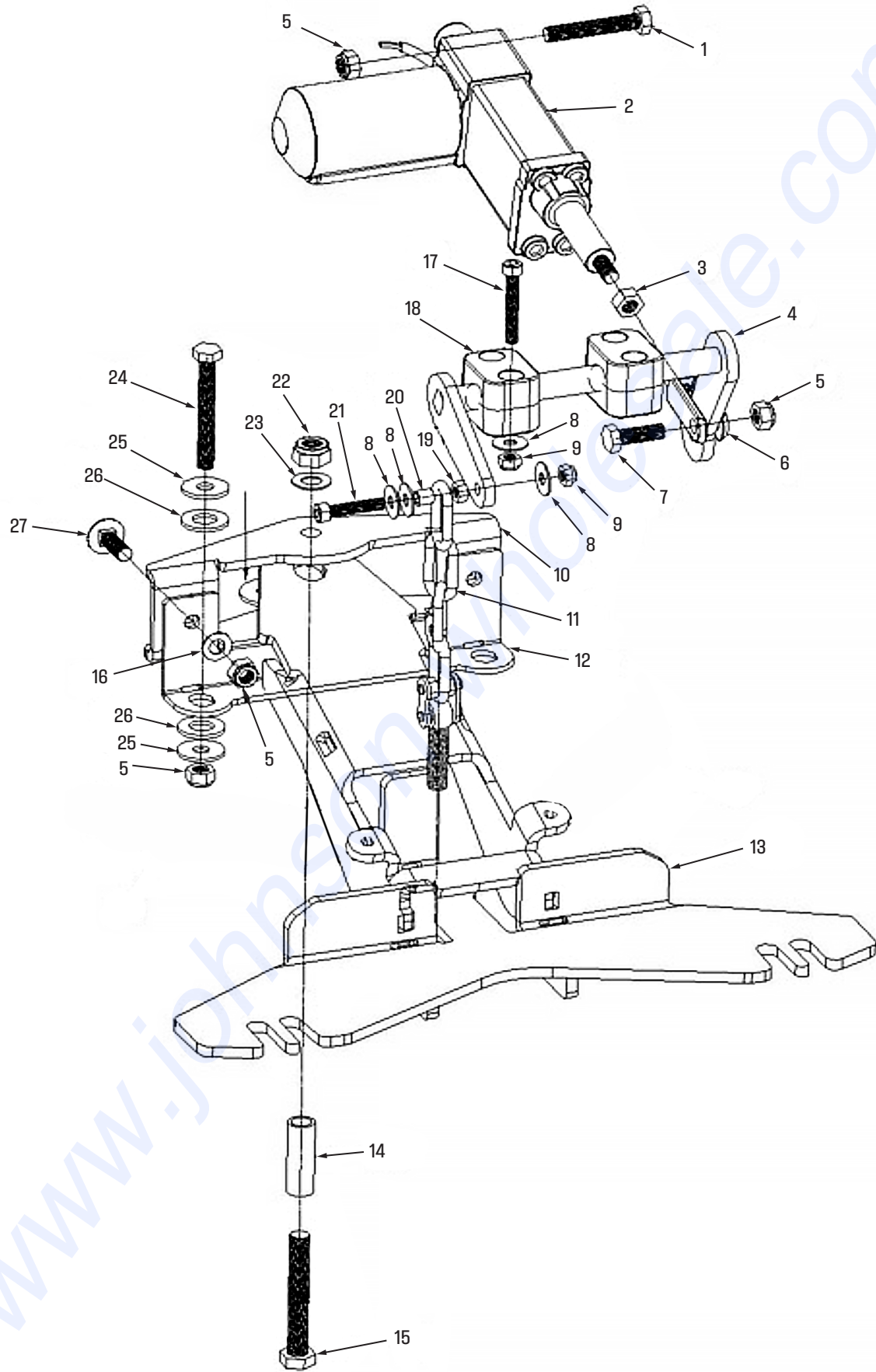
# SQUEEGEE ASSEMBLY GROUP



# SQUEEGEE ASSEMBLY GROUP

| No | Part No.      | Description                    | Qty |
|----|---------------|--------------------------------|-----|
| 1  | W12119        | Suction Hose D38-1640          | 1   |
| 2  | W12120        | X Pipe Clip-1                  | 1   |
| 3  | For Reference | Anti-skid Nut M8               | 6   |
| 4  | W11153        | Spring D15D2-24                | 2   |
| 5  | W12312        | Screw M8×60                    | 2   |
| 6  | W10985        | Star Knob-1                    | 6   |
| 7  | For Reference | Screw M8×15                    | 2   |
| 8  | For Reference | Washer D6D12                   | 2   |
| 9  | W11154        | Wheel bracket, squeegee        | 2   |
| 10 | For Reference | Screw M8×55                    | 2   |
| 11 | W11155        | Bracket ,squeegee wheel        | 1   |
| 12 | For Reference | Screw M8×55                    | 2   |
| 13 | For Reference | Washer D8D16                   | 4   |
| 14 | W10845        | Bumper wheel -1                | 2   |
| 15 | W11156        | Sleeve D12D9-13                | 2   |
| 16 | W10932        | Squeegee Frame                 | 1   |
| 17 | For Reference | Screw M8×30                    | 1   |
| 18 | For Reference | Nut M8                         | 4   |
| 19 | W10809        | Front blade                    | 1   |
| 20 | W11157        | Upper fixing piece, blade      | 1   |
| 21 | W11158        | Lower fixing piece, blade      | 1   |
| 22 | W12312        | Screw M8×60                    | 4   |
| 23 | W10810        | Rear blade                     | 1   |
| 24 | W11159        | Rear Blade fixing piece, right | 1   |
| 25 | For Reference | Screw M5×50                    | 1   |
| 26 | For Reference | Nut M5                         | 1   |
| 27 | W11160        | Rear Blade fixing piece, left  | 1   |
| 28 | W11161        | Squeegee Wheel                 | 2   |
| 29 | W11162        | Frame seat, Squeegee wheel     | 1   |

# SQUEEGEE LIFTING GROUP

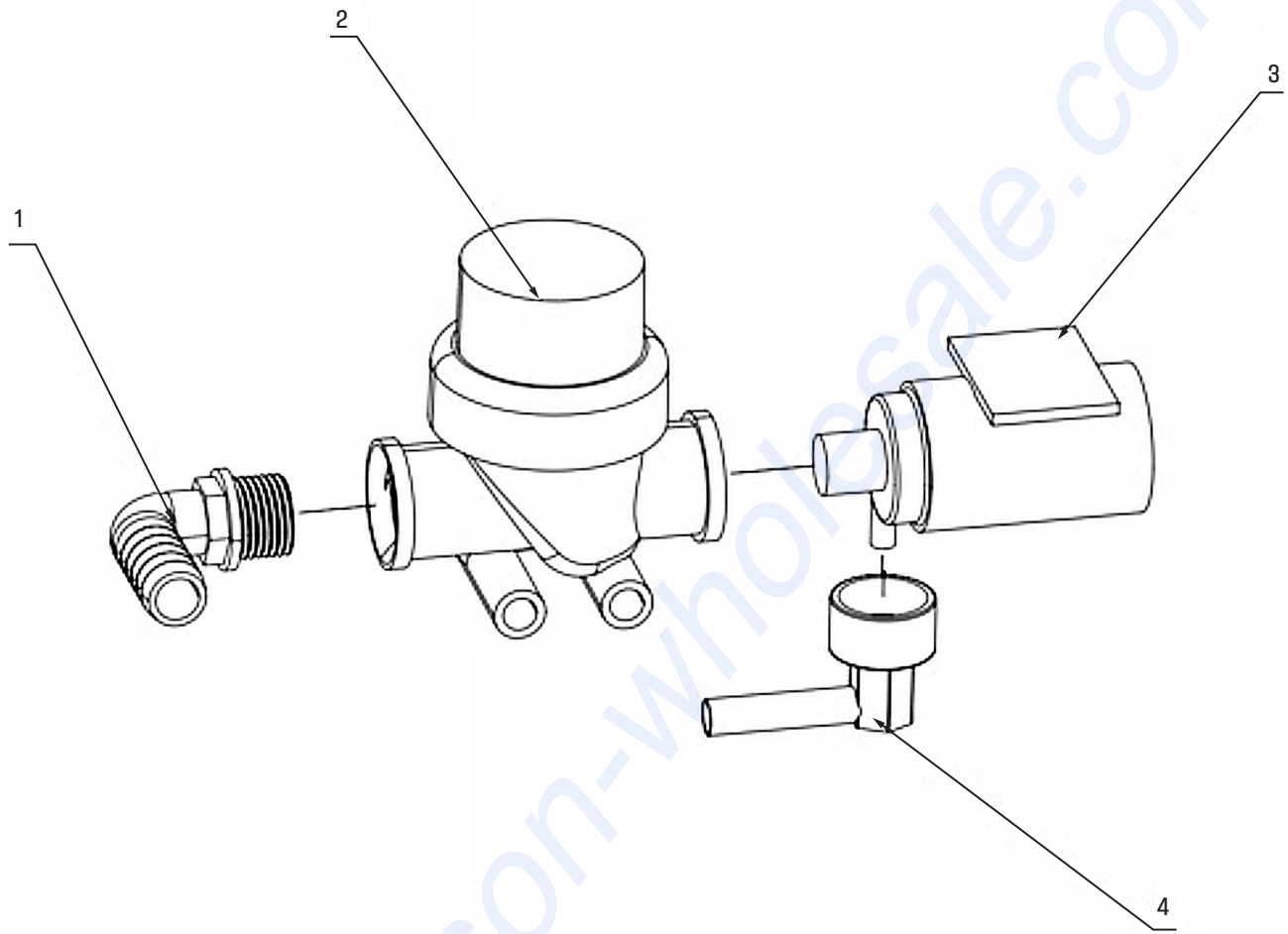


www.johnson.com

# SQUEEGEE LIFTING GROUP

| No | Part No.      | Description                               | Qty |
|----|---------------|---|-----|
| 1  | W12138        | Screw M8X50                               | 1   |
| 2  | W12139        | Lifting motor 24V-1                       | 1   |
| 3  | W12140        | Nut M8                                    | 1   |
| 4  | W12141        | Lifting arm, squeegee                     | 1   |
| 5  | W12142        | M8 Lock nut                               | 6   |
| 6  | W12143        | Joint58X16, Lifting motor                 | 1   |
| 7  | W12144        | Screw M8X25                               | 1   |
| 8  | For Reference | Washer D6D18                              | 7   |
| 9  | For Reference | M6 lock nut                               | 5   |
| 10 | W12145        | Supporting seat-1, Squeegee lifting frame | 1   |
| 11 | W12146        | Chain group                               | 1   |
| 12 | W12147        | Supporting seat-2                         | 1   |
| 13 | W12149        | Lifting frame                             | 1   |
| 14 | W12150        | Sleeve D14D11-41                          | 1   |
| 15 | W12151        | Screw M10X70                              | 1   |
| 16 | For Reference | Washer D8D16                              | 2   |
| 17 | For Reference | Screw M6X40                               | 4   |
| 18 | W12152        | Plastics pipe clip                        | 4   |
| 19 | For Reference | M6 lock nut                               | 1   |
| 20 | For Reference | Sleeve D8D6-8                             | 1   |
| 21 | For Reference | Screw M6X30                               | 1   |
| 22 | W12153        | Nut M10                                   | 1   |
| 23 | W12154        | Washer D10D20                             | 1   |
| 24 | W12155        | Screw M6x60                               | 2   |
| 25 | For Reference | Washer D8D24                              | 4   |
| 26 | For Reference | Platics washerD12D24                      | 4   |
| 27 | For Reference | Screw M8X25                               | 2   |

# FILTER GROUP



| No | Part No. | Description   | Qty |
|----|----------|---------------|-----|
| 1  | W12156   | Plastic Elbow | 1   |
| 2  | W10968   | Filter        | 1   |
| 3  | W10969   | Pump          | 1   |
| 4  | W12159   | Copper Elbow  | 1   |