

ONYX

DESIGNED TO SHINE



Battery Automatic Floor Scrubber IPL DX26, DX32

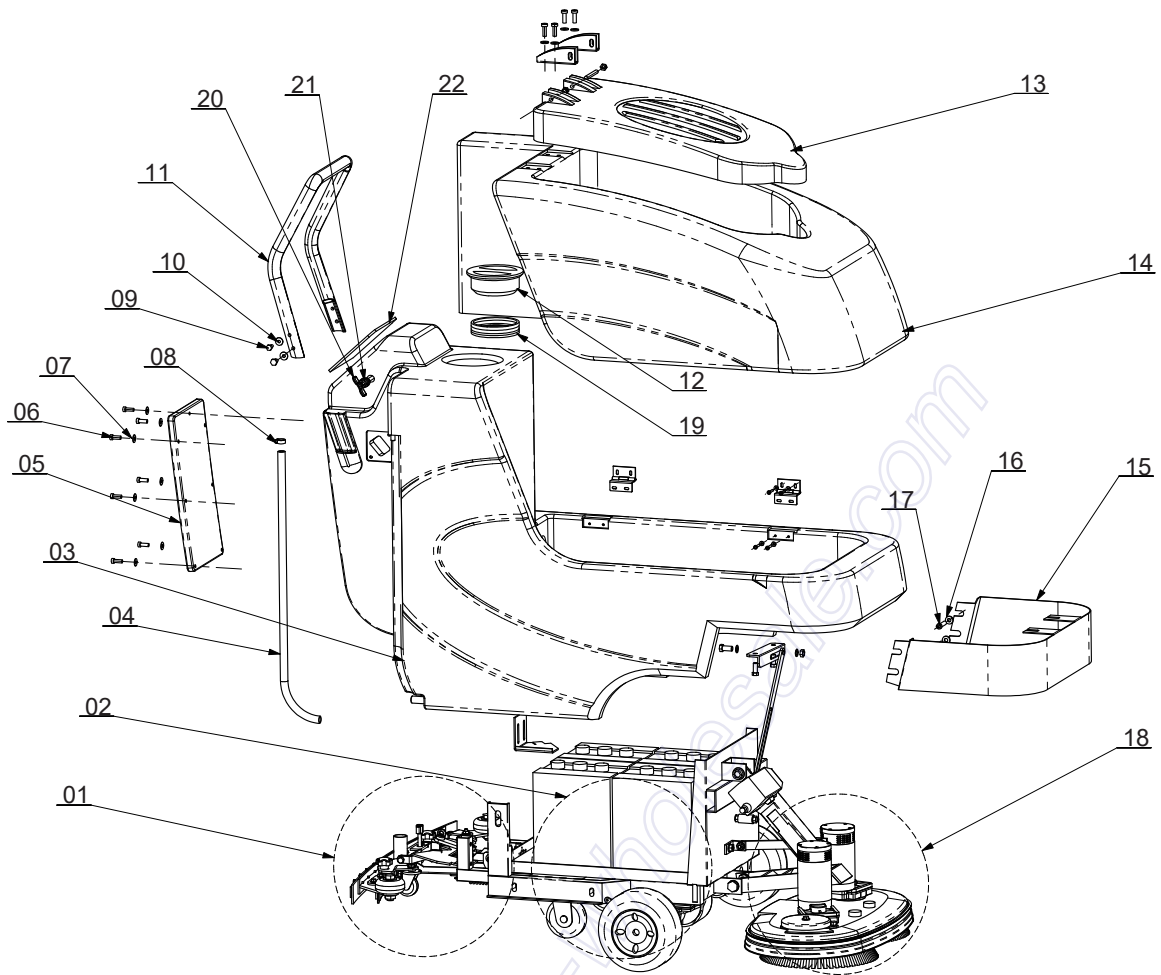


Parts List _____

info@johnson-wholesale.com

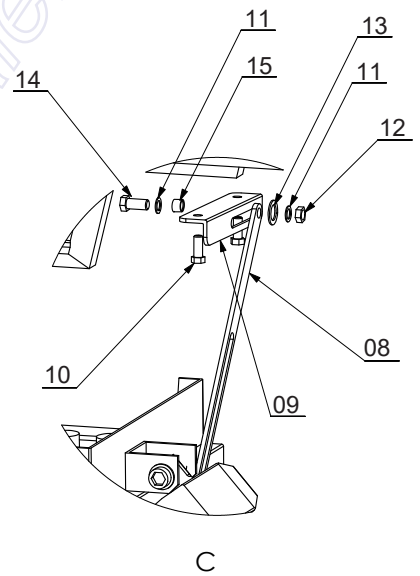
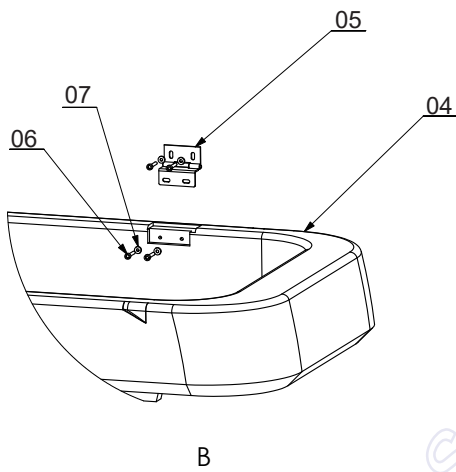
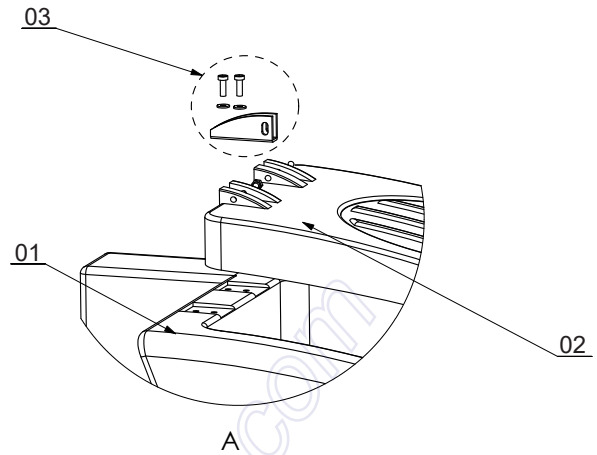
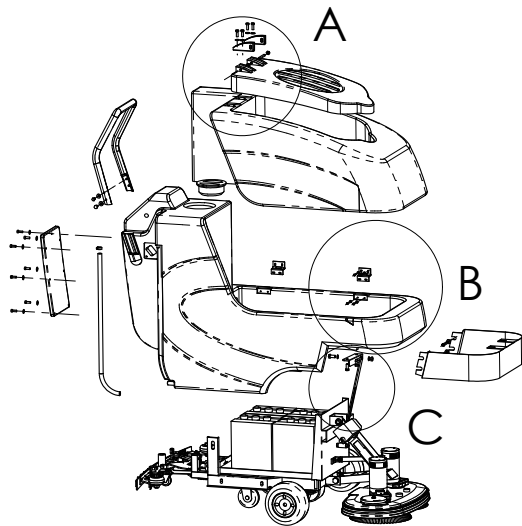
828-283-1999

W11151_Rev C
20200914 SJA



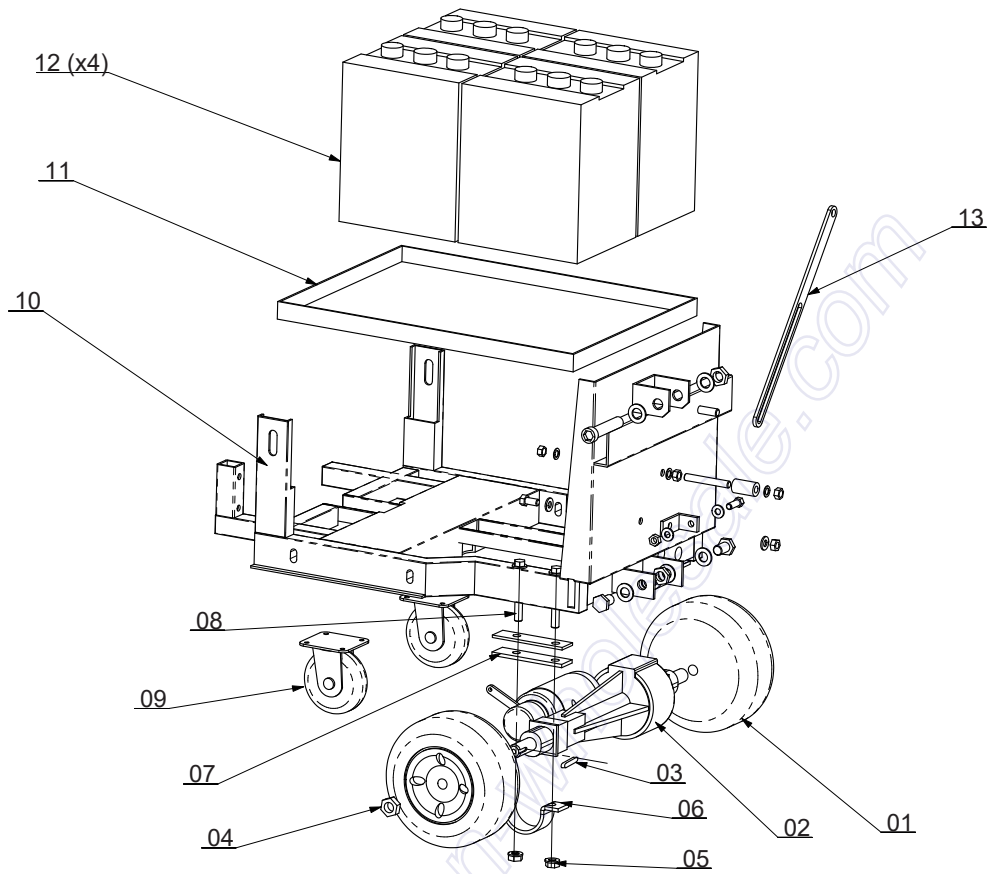
Primary Components

Item	Part No.	Description
01	W10875	Squeegee Assembly, 46"
02	For Reference	Propelling Motor Assembly
03	W10977	Fresh Water Tank
04	W10831	Hose, Water Level Indicator
05	W10906	Panel Cover, Circuit
06	For Reference	M6 Screw
07	For Reference	M6 Flat Gasket
08	W10832	Hose Clamp, Worm Gear 1-1/8 ID
09	For Reference	M6 Screw
10	W10907	M6 Curved Washer
11	W10876	Push Handle W/ Foam Grip
12	W10877	Fresh Water Inlet Cover
13	W10826	Recovery Tank Cover
14	W10978	Recovery Tank
15	W10844	Bumper
16	For Reference	M8 Flat Washer
17	For Reference	M8 Screw
18	For Reference	Brush Head Assembly
19	W10830	Filter Screen, Fresh Water Inlet
20	W10909	Trigger, Traction Motor Engagement
21	W10910	Accelerator
22	W10911	Control Panel



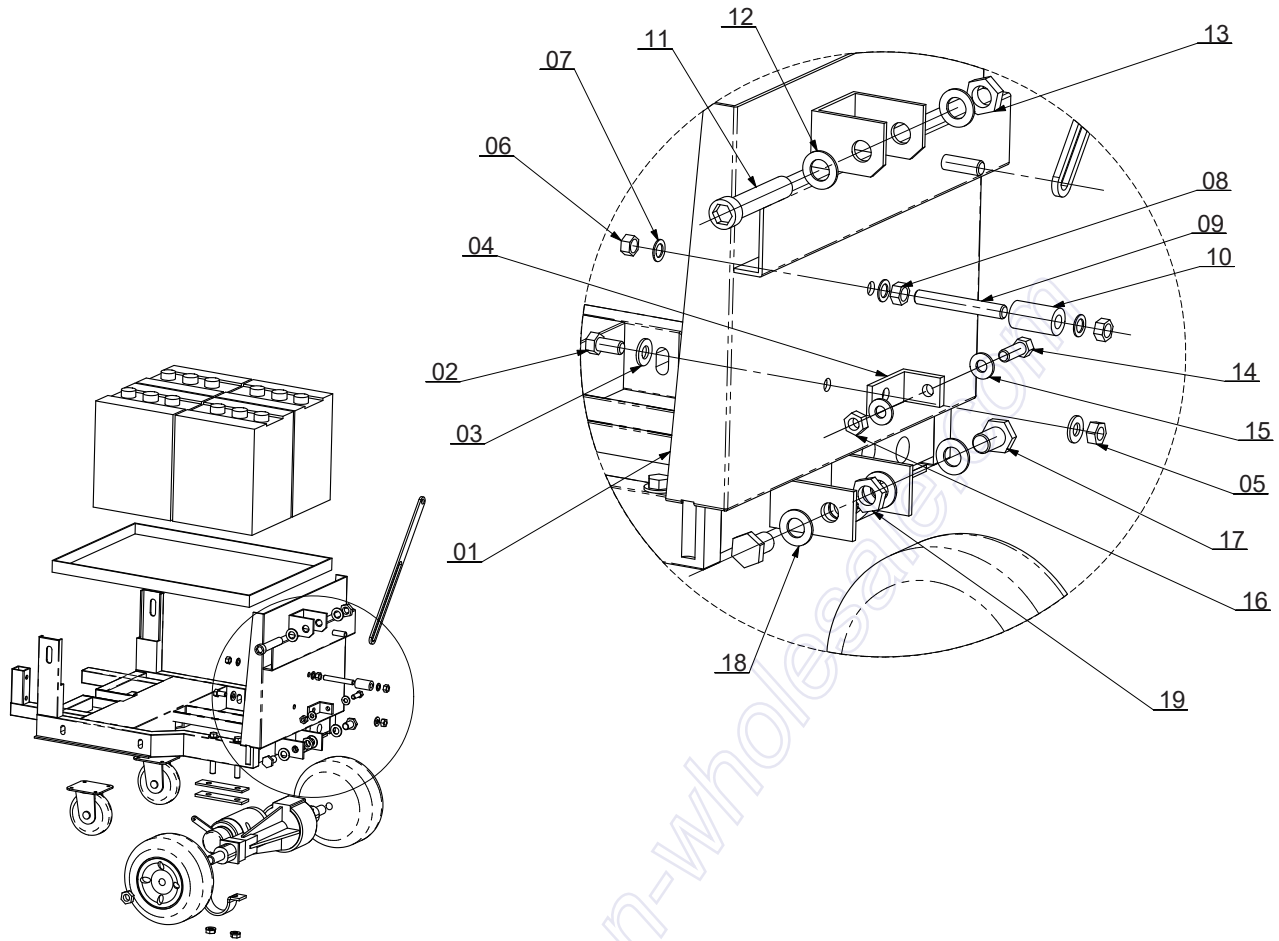
Recovery Tank Hinges

Item	Part No.	Description
01	W10977	Fresh Water Tank
02	W10826	Recovery Tank Cover
03	W10912	Pivot Bracket, Complete Assy w/ Hardware
04	W10978	Recovery Tank
05	W10829	Hinge, Recovery Tank
06	For Reference	M8 Screw
07	For Reference	M8 Flat Washer
08	W10979	Support Rod, Recovery Tank
09	W10913	Bracket, Recovery Tank Lifting
10	For Reference	M8 Screw
11	For Reference	M8 Flat Washer
12	For Reference	M8 Nut
13	W10914	Nylon Bushing
14	For Reference	M8 Screw
15	W10915	M8 Steel Spacer

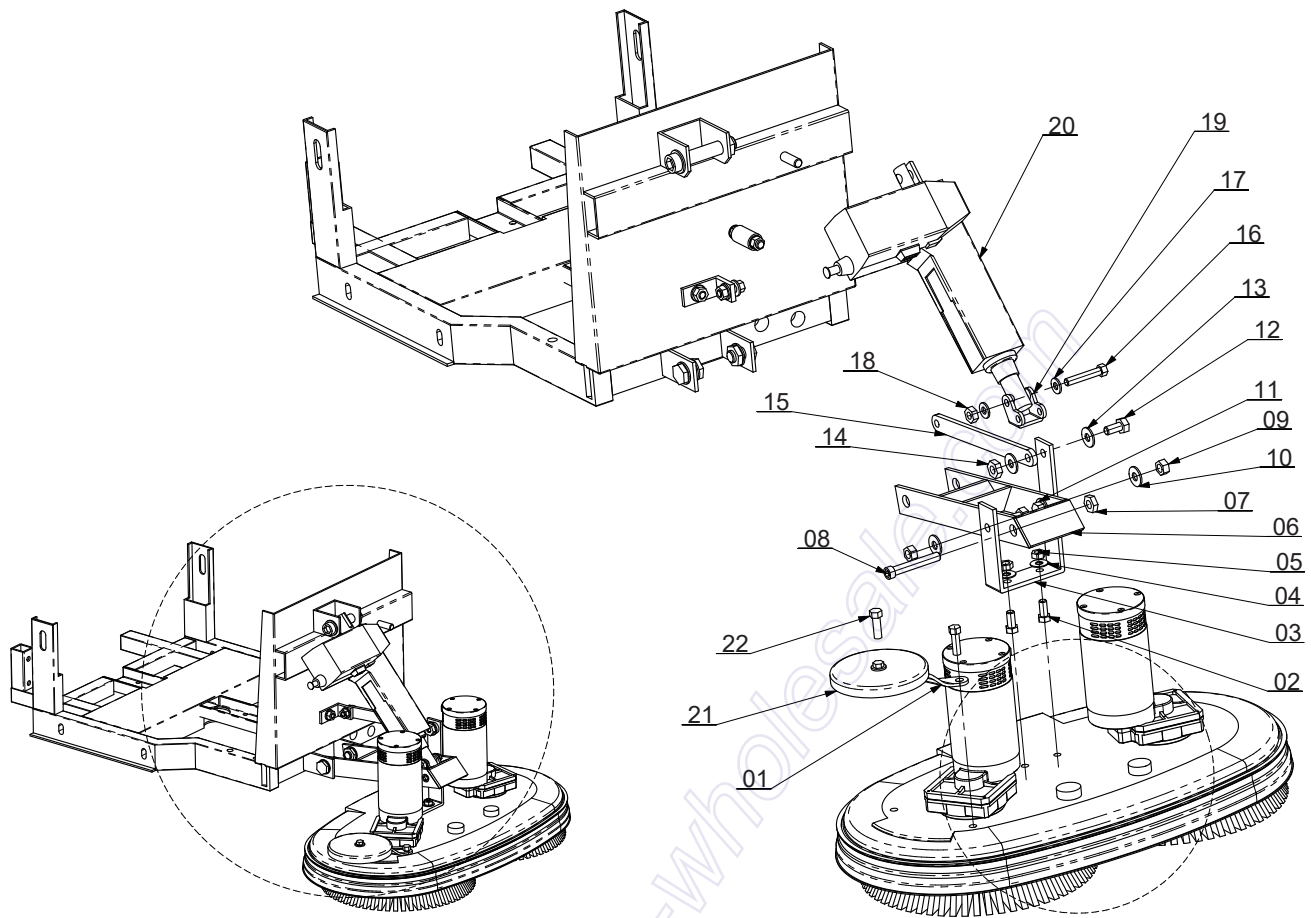


Frame, Wheels, & Batteries

Item	Part No.	Description
01	W10841	Wheel, Main Traction 10 In
02	W10973	Propelling Motor
03	W10916	Machine Key
04	W10917	M12 Nut
05	For Reference	M8 Nut
06	W10918	U Bracket
07	W10919	Balance Block
08	For Reference	M8 Screw
09	W10833	Swivel Caster, Machine Base 3.75"
10	W10980	Machine Frame Weldment
11	W10920	Battery Tray
12	W10878	Battery - 6V
13	W10979	Support Rod, Recovery Tank

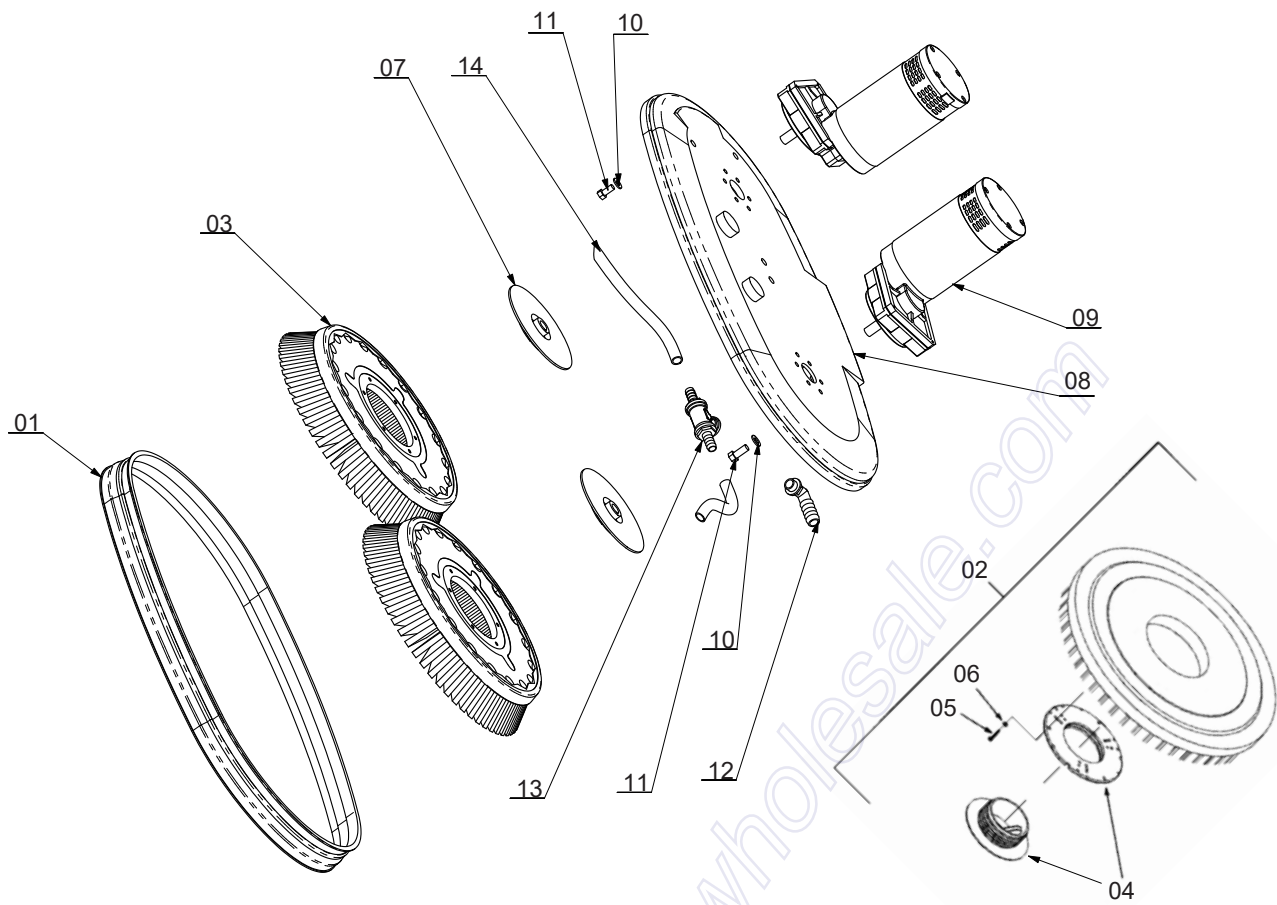


Frame Front		
Item	Part No.	Description
01	W10980	Machine Frame Weldment
02	For Reference	M8 Screw
03	For Reference	M8 Flat Washer
04	W10921	Bracket
05	For Reference	M8 Nut
06	For Reference	M8 Nut
07	For Reference	M8 Flat Washer
08	For Reference	M8 Flat Washer
09	W10922	Sleeve
10	W10923	Nylon Spacer
11	For Reference	M10 Screw
12	For Reference	M10 Flat Washer
13	For Reference	M10 Nut
14	For Reference	M10 Screw
15	For Reference	M8 Flat Washer
16	For Reference	M8 Nut
17	For Reference	M8 Screw
18	For Reference	M8 Flat Washer
19	For Reference	M8 Nut

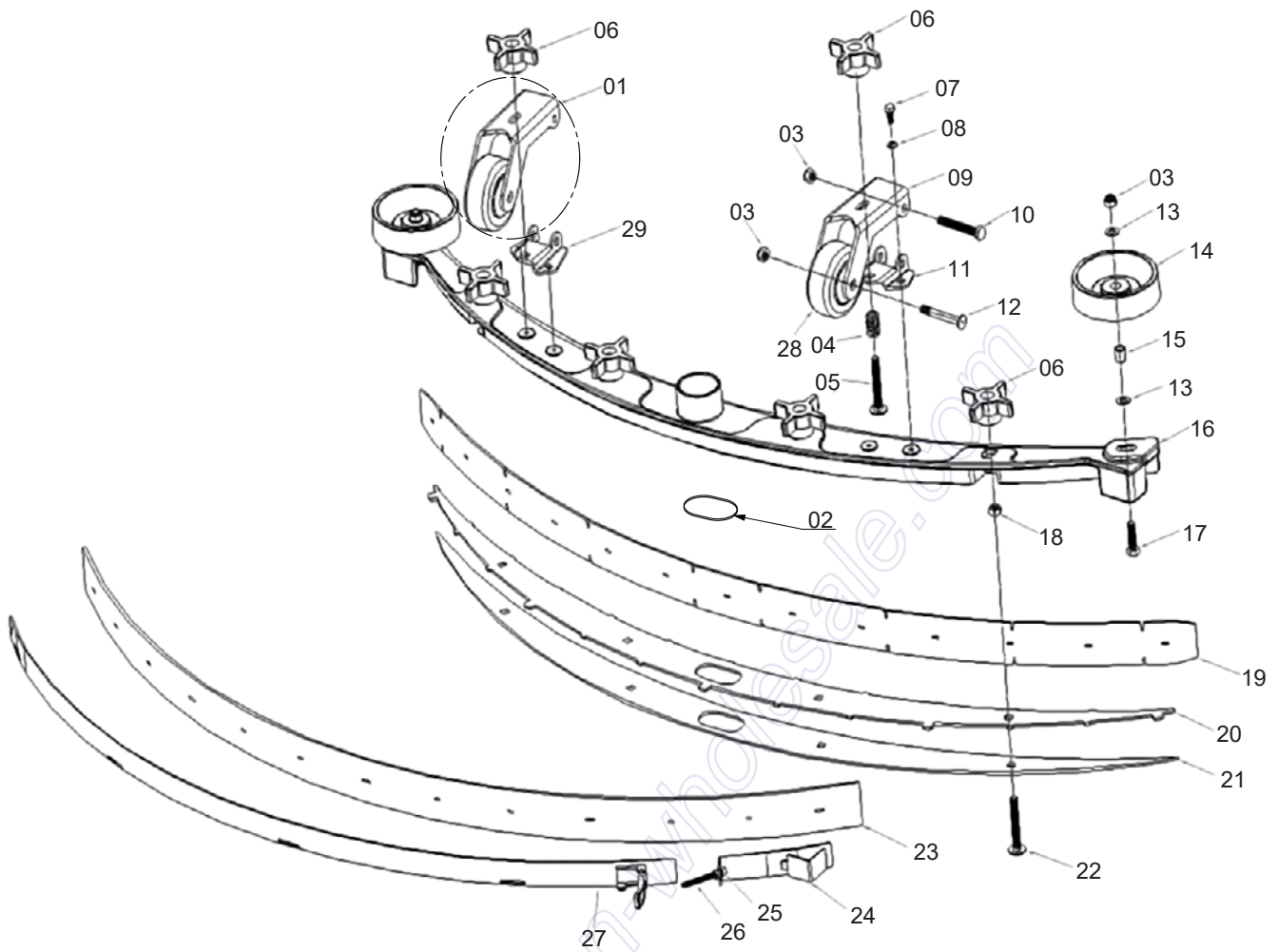


Head Lifting Assembly

Item	Part No.	Description
01	W10925	Collision Wheel Bracket
02	For Reference	M10 Screw
03	W10926	U Bracket
04	For Reference	M10 Flat Washer
05	For Reference	M10 Nut
06	W10927	Bracket
07	For Reference	M10 Nut
08	For Reference	M10 Screw
09	For Reference	M8 Nut
10	For Reference	M8 Flat Washer
11	For Reference	M8 Nut
12	For Reference	M8 Screw
13	For Reference	M6 Flat Washer
14	For Reference	M8 Nut
15	W10928	Adjustment Lever
16	For Reference	M10 Screw
17	For Reference	M10 Flat Washer
18	For Reference	M10 Nut
19	W10929	Bracket
20	W10842	Head Lifting Motor
21	W10843	Bumper Wheel, Brush Head
22	For Reference	M12 Screw

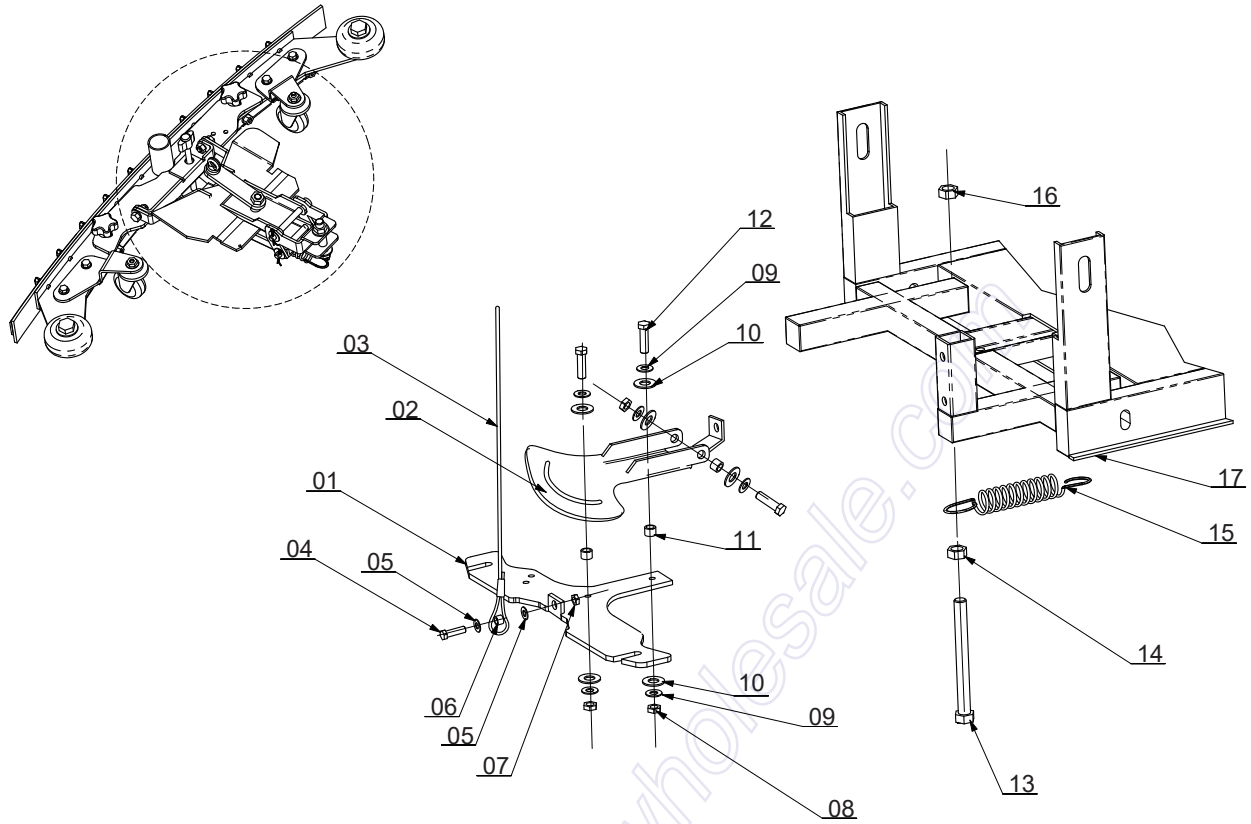


Head Assembly		
Item	Part No.	Description
01	W10808	Brush Skirt, 32" Head
	W10883	Brush Skirt, 26" Head
02	W10807	Pad Driver, 16"
	W10882	Pad Driver, 13"
03	W10806	Brush, 16" Standard Stiffness
	W10879	Brush, 16" Extra Stiff
	W10880	Brush, 13" Standard Stiffness
	W10881	Brush, 13" Extra Stiff
04	W10848	Pad Holder Assy, Clip & Housing
05	For Reference	Screw, Phl, M4x25
06	For Reference	Washer, Flat, M4
07	W10813	Triangle Driver
08	W10930	Brush Cover, 32" Head
	W10931	Brush Cover, 26" Head
09	W10821	Brush Motor
10	For Reference	M8 Flat Washer
11	For Reference	M8 Screw
12	W10981	Water Elbow
13	W10982	Three Way Connection
14	W10984	Fresh Water Hose

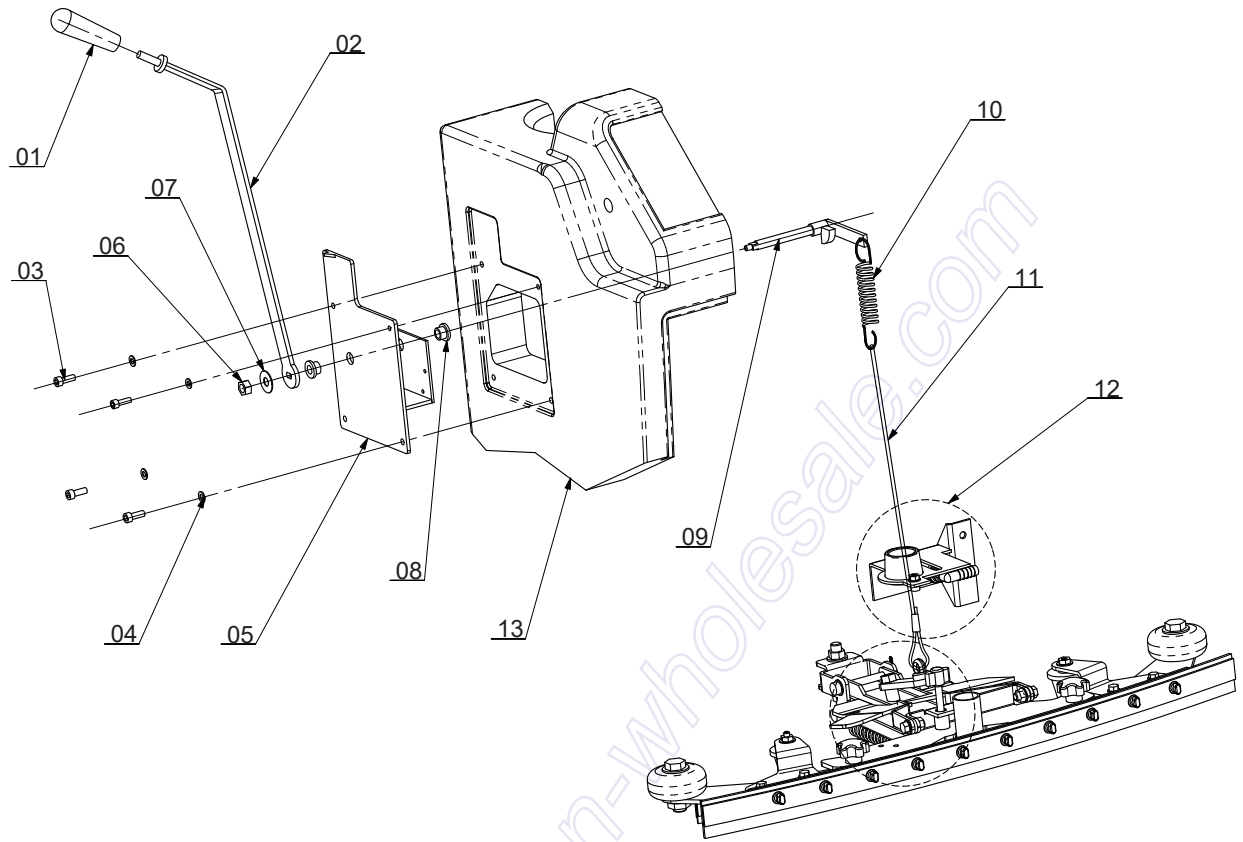


Squeegee Assembly		
Item	Part No.	Description
01	W10827	Wheel & Bracket, Squeegee
02	W10937	O-ring 55mm
03	For Reference	Nut M8
04	W11153	Spring D15D2-24
05	For Reference	Screw M8x60
06	W10985	Tightening Knob W/ M8 Nut
07	For Reference	Screw M8x15
08	For Reference	Washer, M8
09	W11154	Wheel bracket, Squeegee
10	For Reference	Screw M8x55
11	W11155	Bracket Mount Right, Squeegee Wheel
12	For Reference	Screw M8x55
13	For Reference	Washer, M8
14	W10845	Bumper Wheel
15	W11156	Sleeve

Item	Part No.	Description
16	W10932	Squeegee Body
17	For Reference	Screw M8x30
18	For Reference	Nut M8
19	W10809	Squeegee Blade - Front 46"
20	W11157	Squeegee Mount, Upper
21	W11158	Squeegee Mount, Lower
22	For Reference	Screw M8x60
23	W10810	Squeegee Blade - Rear 46"
24	W11159	Squeegee Clamp, Right
25	For Reference	Screw M5x50
26	For Reference	Nut M5
27	W11160	Squeegee Clamp, Left
28	W11161	Wheel, squeegee bracket
29	W11162	Bracket Mount Left, Squeegee Wheel

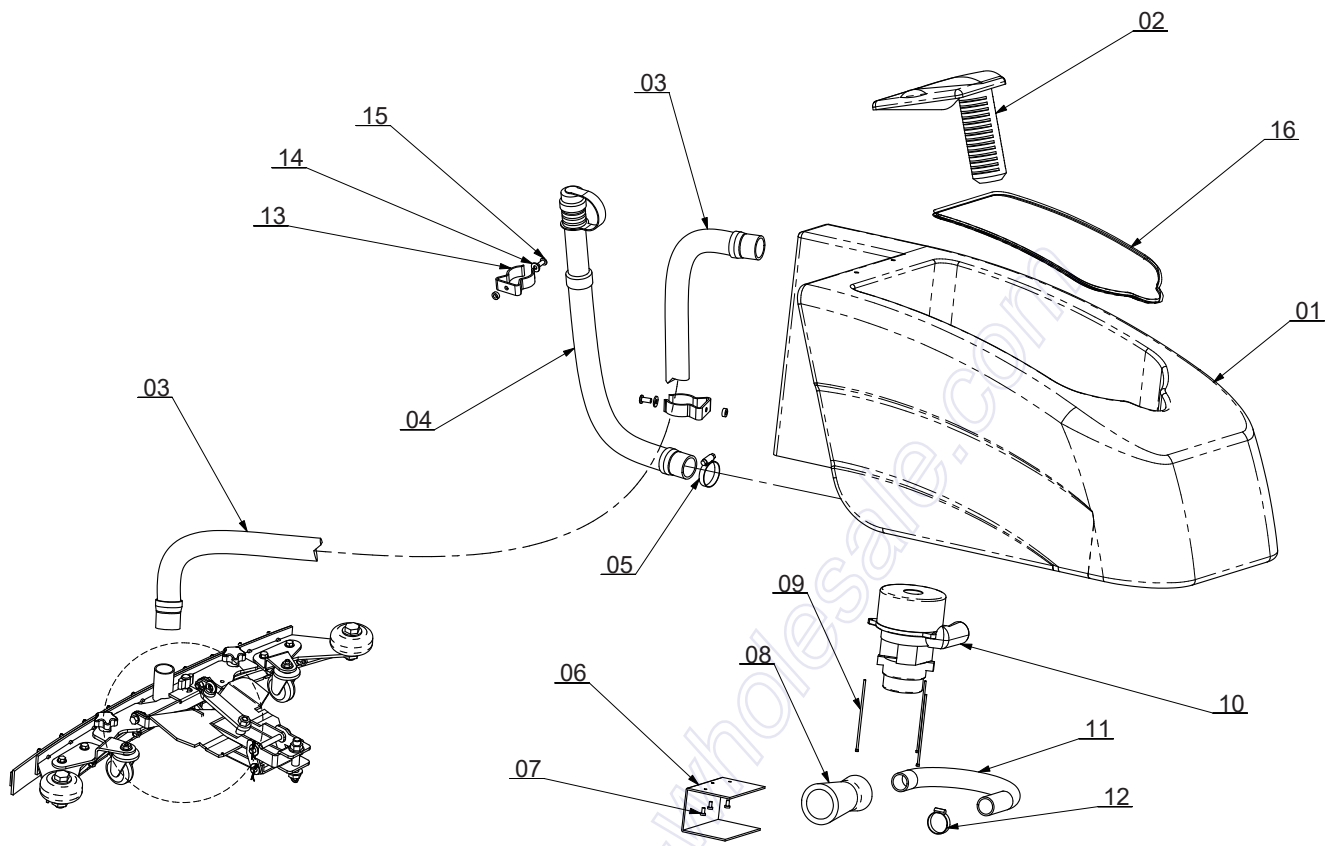


Squeegee Mounting Assembly		
Item	Part No.	Description
01	W10938	Bracket, Squeegee Mount
02	W10939	Bracket, Squeegee Pivot
03	W10987	Steel Cable
04	For Reference	M6 Screw
05	For Reference	M6 Flat Washer
06	W10940	M6 Steel Spacer
07	For Reference	M6 Nut
08	For Reference	M8 Nut
09	For Reference	M8 Flat Washer
10	W10941	M8 Nylon Washer
11	W10942	M8 Steel Spacer
12	For Reference	M8 Bolt
13	W10943	M10 Bolt
14	For Reference	M12 Nut
15	W10944	Spring
16	For Reference	M12 Nylock Nut
17	W10980	Machine Frame Weldment

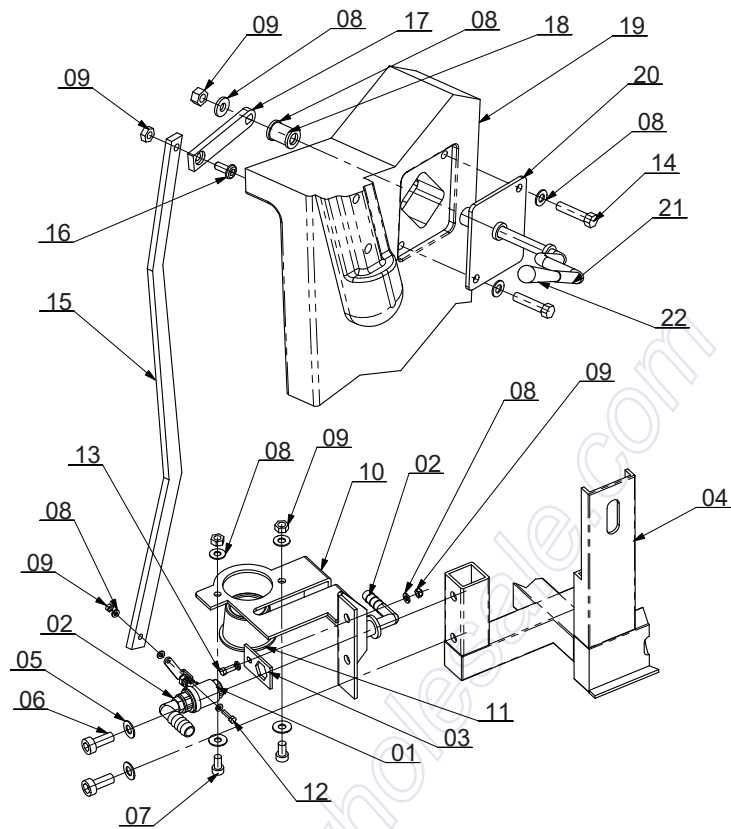


Squeegee Lifting Assembly

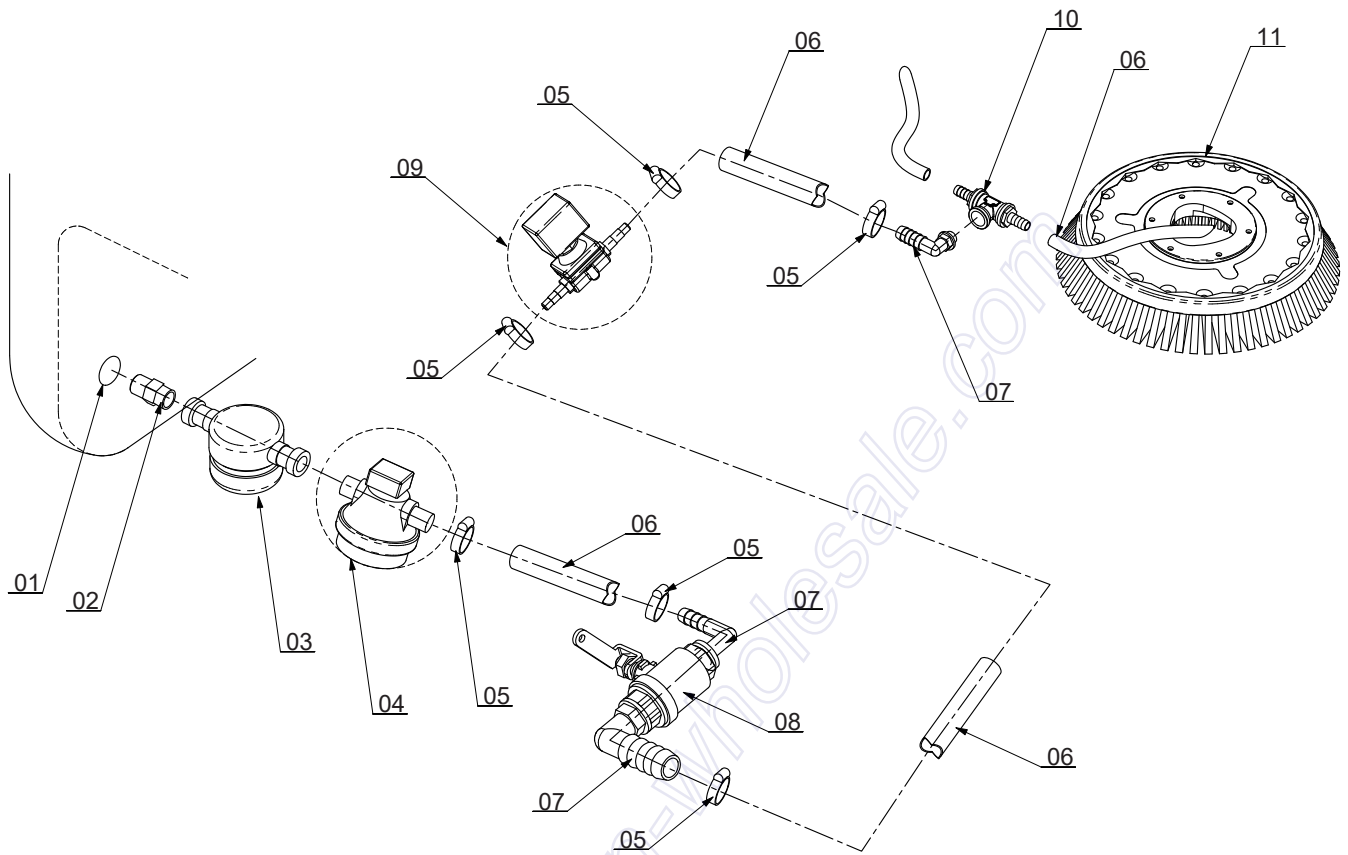
Item	Part No.	Description
01	W10945	Handle
02	W10946	Lever, Squeegee Lifting
03	For Reference	M6 Screw
04	For Reference	M6 Flat Washer
05	W10947	Bracket, Squeegee Lever
06	For Reference	M8 Nut
07	For Reference	M8 Flat Washer
08	W10948	Nylon Sleeve
09	W10949	Axle, Squeegee Lever
10	W10950	Spring
11	W10987	Steel Cable
12	For Reference	Cable Guide Bracket Assy
13	For Reference	Fresh Water Tank



Vacuum System		
Item	Part No.	Description
01	W10978	Recovery Tank
02	W10951	Floating Ball Shutoff Tube
03	W10811	Vacuum Hose, Recovery Tank
04	W10812	Drainage Hose, Recovery Tank
05	W10952	Hose Clamp
06	W10953	Mounting Plate, Noise Muffler
07	For Reference	M8 Screw
08	W10954	Noise Muffler
09	W10955	M6 Screw
10	W10822	Vacuum Motor, 24V
11	W10956	Pipe, Noise Muffler
12	W10957	Hose Clamp
13	W10839	Clip, Pipe Hanger
14	For Reference	M6 Flat Washer
15	For Reference	M6 Nut
16	W10825	Seal, Recovery Tank Cover

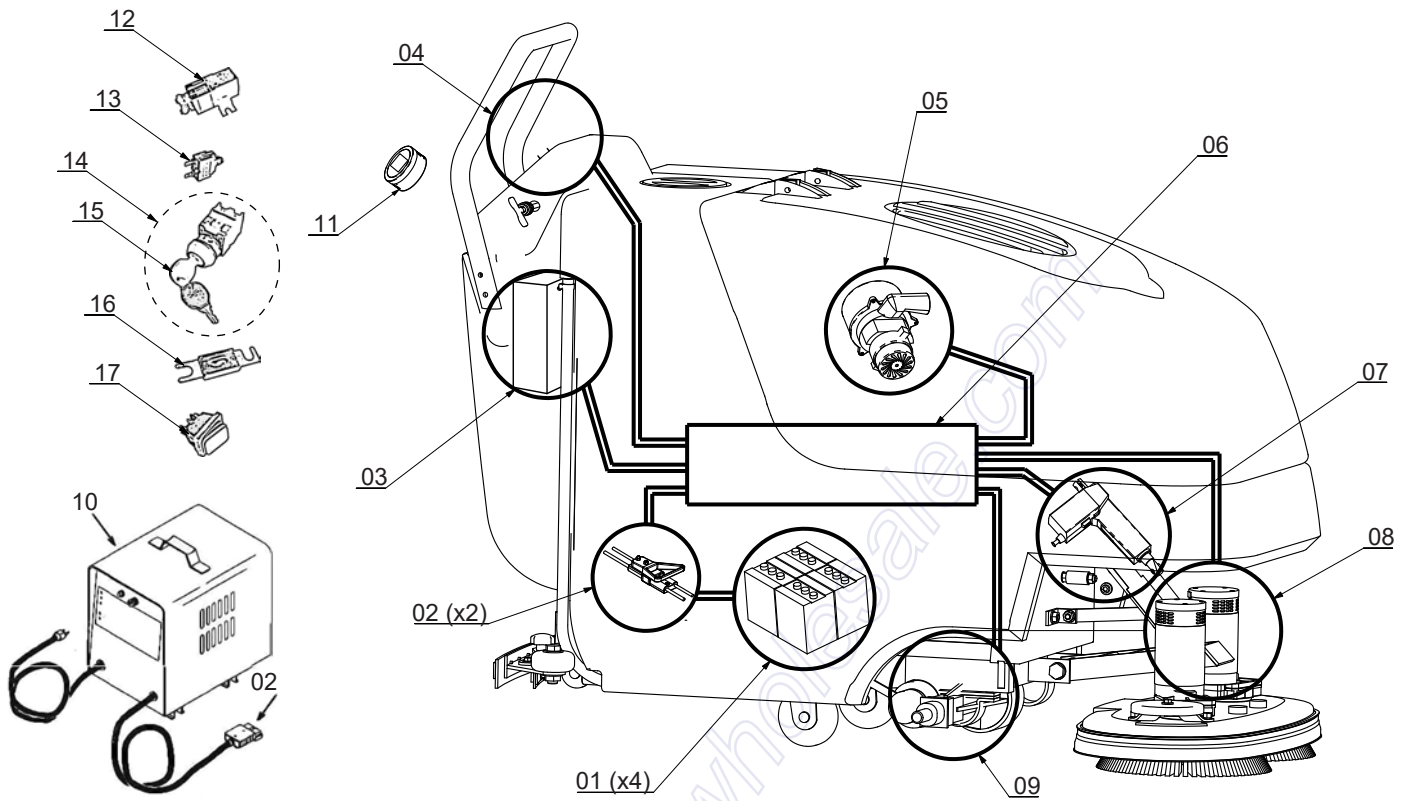


Water Flow Adjustmet Assembly		
Item	Part No.	Description
01	W10988	Valve, Water Flow Adjustment
02	W10981	Water Elbow
03	W10958	Mounting Plate, Water Valve
04	W10980	Machine Frame Weldment
05	For Reference	M8 Flat Washer
06	For Reference	M8 Screw
07	For Reference	M6 Screw
08	For Reference	M6 Flat Washer
09	For Reference	M6 Nut
10	W10959	Cable Guide Bracket
11	W10960	Nylon Guide
12	For Reference	M6 Screw
13	For Reference	M6 Screw
14	For Reference	M6 Screw
15	W10961	Connecting Rod, Water Adjustment
16	For Reference	M6 Screw
17	W10962	Linkage Plate, Water Adjustment
18	W10963	Nylon Sleeve
19	For Reference	Fresh Water Tank
20	W10964	Mounting Plate, Water Adjustment Lever
21	W10965	Lever, Water Flow Adjustment
22	W10966	Handle, Water Flow Adjustment



Water Components

Item	Part No.	Description
01	For Reference	Water Tank Outlet
02	W10967	Brass Coupler
03	W10968	Inline Water Filter
04	W10969	Water Pump
05	W10832	Hose Clamp, Worm Gear 1-1/8 ID
06	W10984	Fresh Water Hose
07	W10981	Water Elbow
08	W10988	Valve, Water Flow Adjustment
09	W10818	Valve, Water Shut Off Solenoid
10	W10982	Three Way Connection
11	For Reference	Brush



Electrical Components

Item	Part No.	Description
01	W10878	Battery - 6V
02	W10820	Charger Socket Housing
03	W10970	Circuit Board
04	W10971	Control Panel
05	W10822	Vacuum Motor, 24V
06	W10972	Wire Harness Complete
07	W10842	Head Lifting Motor
08	W10821	Brush Motor
09	W10973	Propelling Motor
10	W10891	Battery Charger - 24V DX26/DX32
11	W10823	Hour & Battery Meter, Round
12	W10815	24V Relay / Contactor
13	W10816-5A	Circuit Breaker, 5A
	W10816-10A	Circuit Breaker, 10A
	W10816 -20A	Circuit Breaker, 20A
	W10816-40A	Circuit Breaker, 40A
14	W10817	Key Switch, Including 2 Keys
15	W10853	Key, Main On/Off Switch
16	W10819-80A	Fuse, 80A
	W10819-150A	Fuse, 150A
17	W10840	Toggle Switch