

# ONYX



DESIGNED TO SHINE

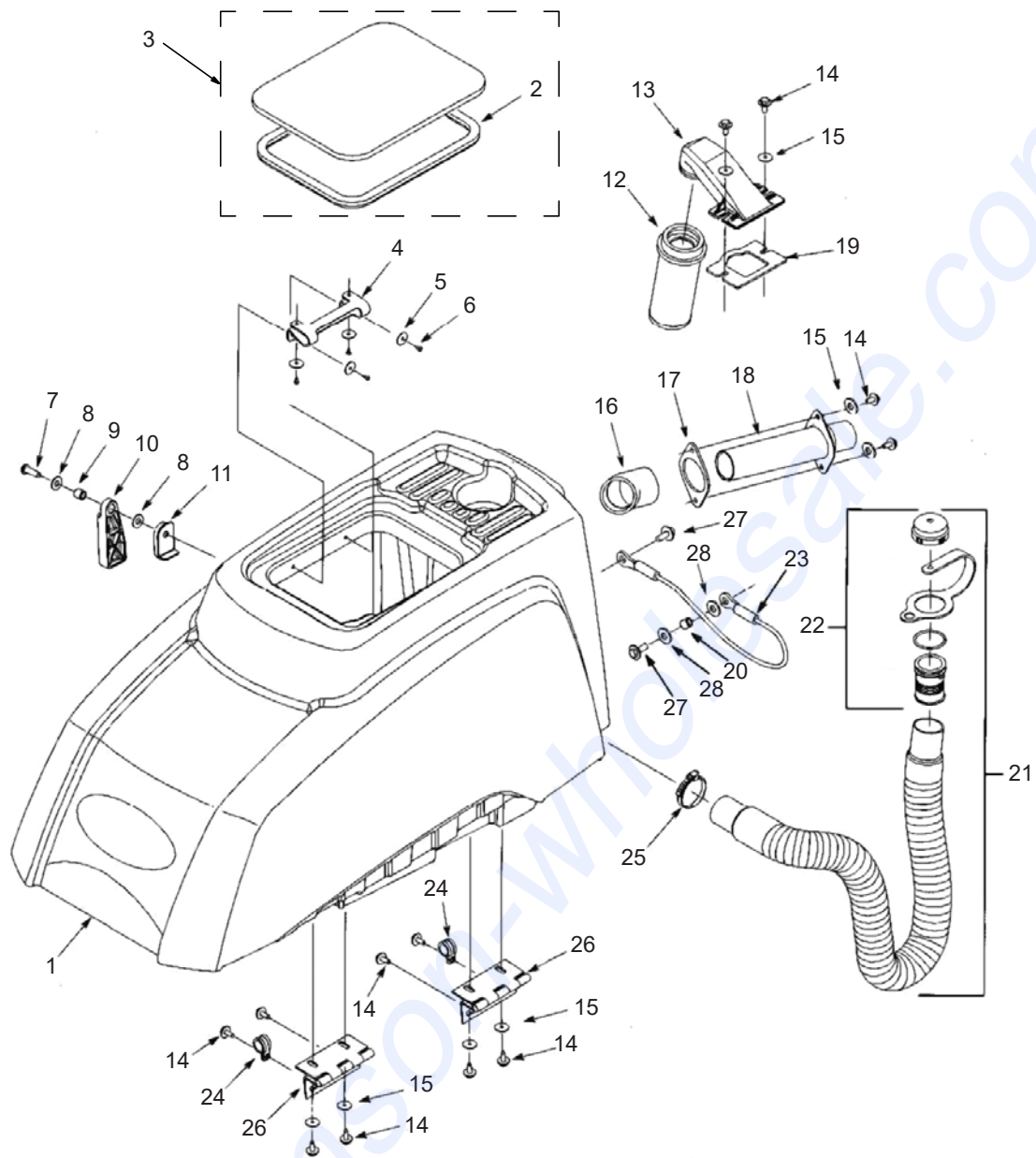
## Battery Automatic Floor Scrubber IPL DX20 & DX20T



Parts & Service:

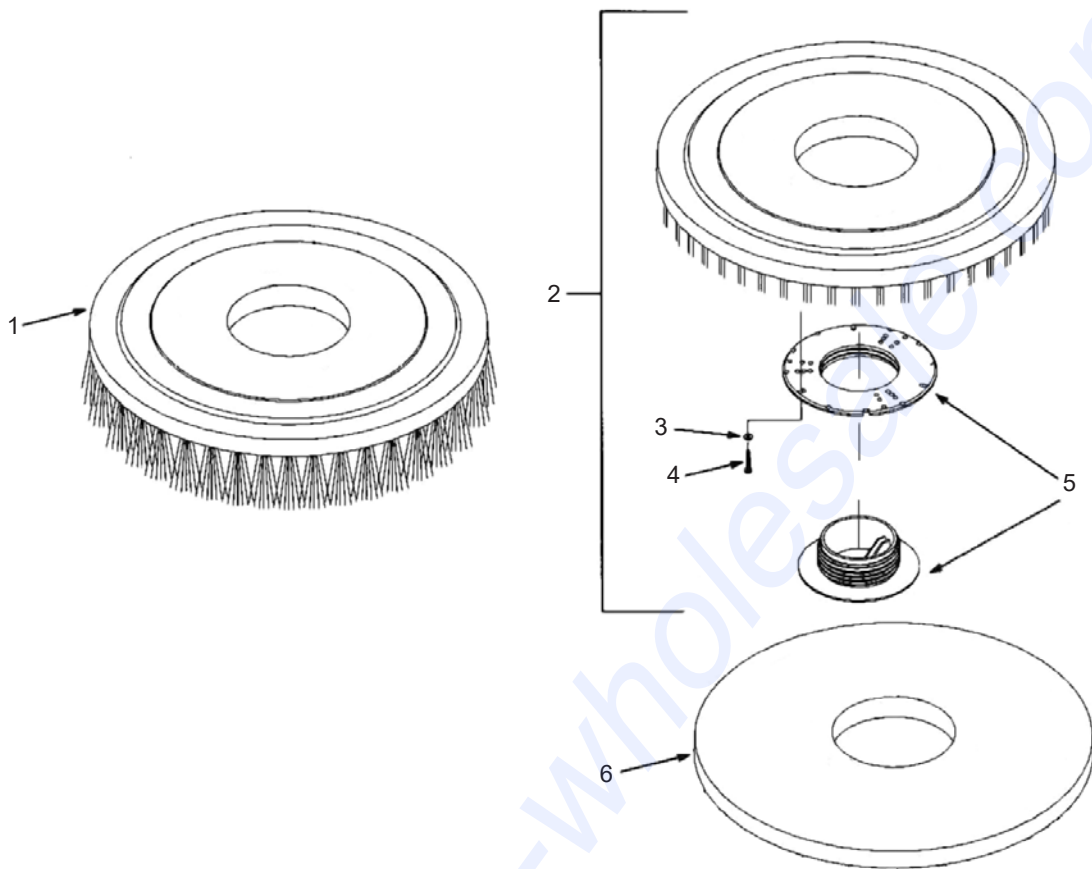
Online: [www.OnyxSolutions.com](http://www.OnyxSolutions.com)  
Email: [sales@onyxsolutions.com](mailto:sales@onyxsolutions.com)  
Call: 704-827-9368

W11150\_Rev E  
20220512 SJA

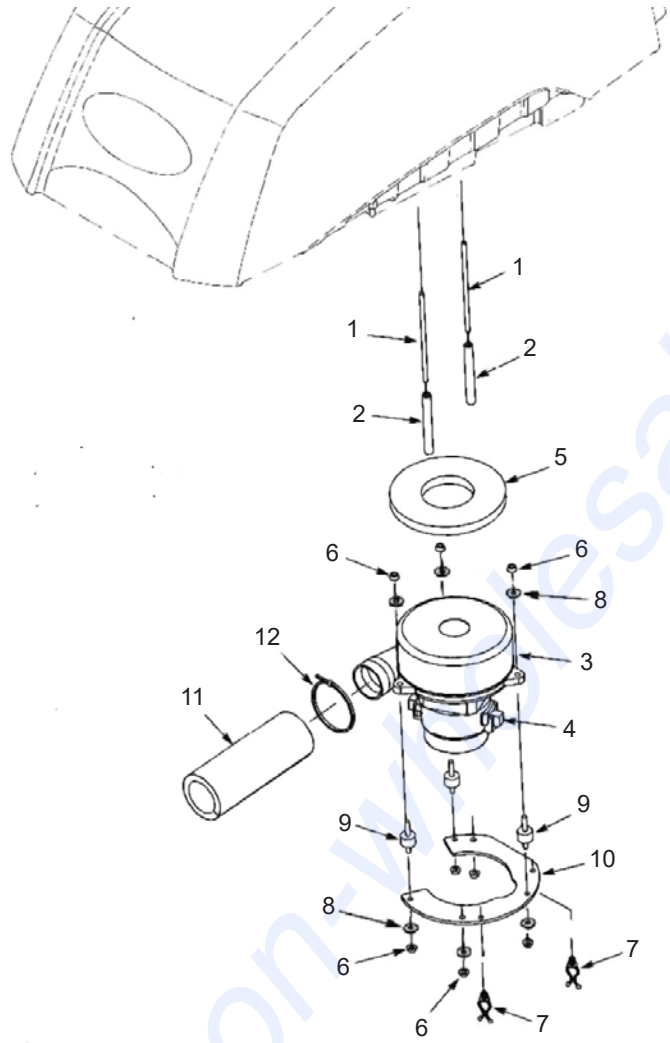


Recovery Tank Assembly		
Item	Part No.	Description
1	W11001	Recovery Tank
2	W10850	Seal, Recovery Tank Cover
3	W10888	Cover & Seal - Recovery Tank
4	W11002	Flexible Strap Hinge
5	For Reference	Washer, M4
6	For Reference	Screw, M4
7	For Reference	Screw, Hex, M8×25
8	For Reference	Flat Washer, 8mm×22mm×2mm
9	W11003	Sleeve
10	W11004	Stop, Tank Lifting
11	W11005	Bracket, Stop
12	W10851	Floating Ball Shutoff Tube
13	W11006	Float Shutoff Arm
14	For Reference	Screw, Hex, M6×12

Item	Part No.	Description
15	For Reference	Flat Washer, 6mm×18mm×1mm
16	W11007	Elbow
17	W11008	Gasket
18	W11009	Hose
19	W11010	Gasket
20	W11011	Sleeve
21	W10865	Drainage Hose Assy, Recovery Tank
22	W11012	Plug Assy, Drainage Hose
23	W11013	Steel Cable w/ Eyelets
24	W11014	Clip, Wire
25	W11015	Hose Clamp
26	W11016	Hinge
27	For Reference	Screw, Hex, M6×12
28	For Reference	Flat Washer, 6mm×18mm×1mm

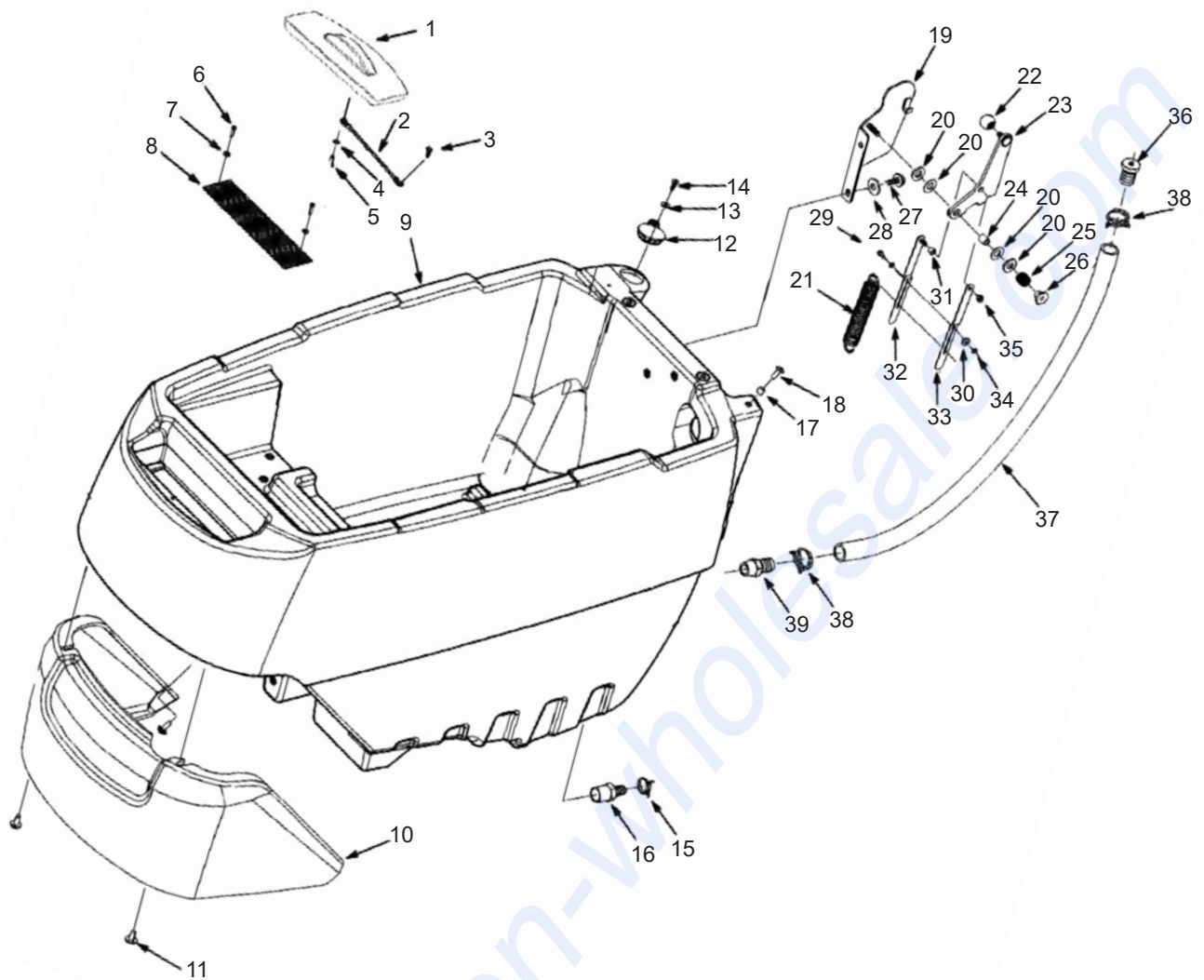


Brushes & Pads		
Item	Part No.	Description
1	W10846	Brush - 20" Standard Stiffness
1	W10887	Brush - 20" Extra Stiff
2	W10847	Pad Driver Assy - 20"
3	For Reference	Flat Washer, M4
4	For Reference	Screw, Phl, M4x25
5	W10848	Pad Holder Assy, Clip & Housing
6	W11017	White Pad, Polishing
6	W11018	Red Pad, Scrubbing
6	W11019	Black Pad, Stripping



**Vacuum Motor Assembly**

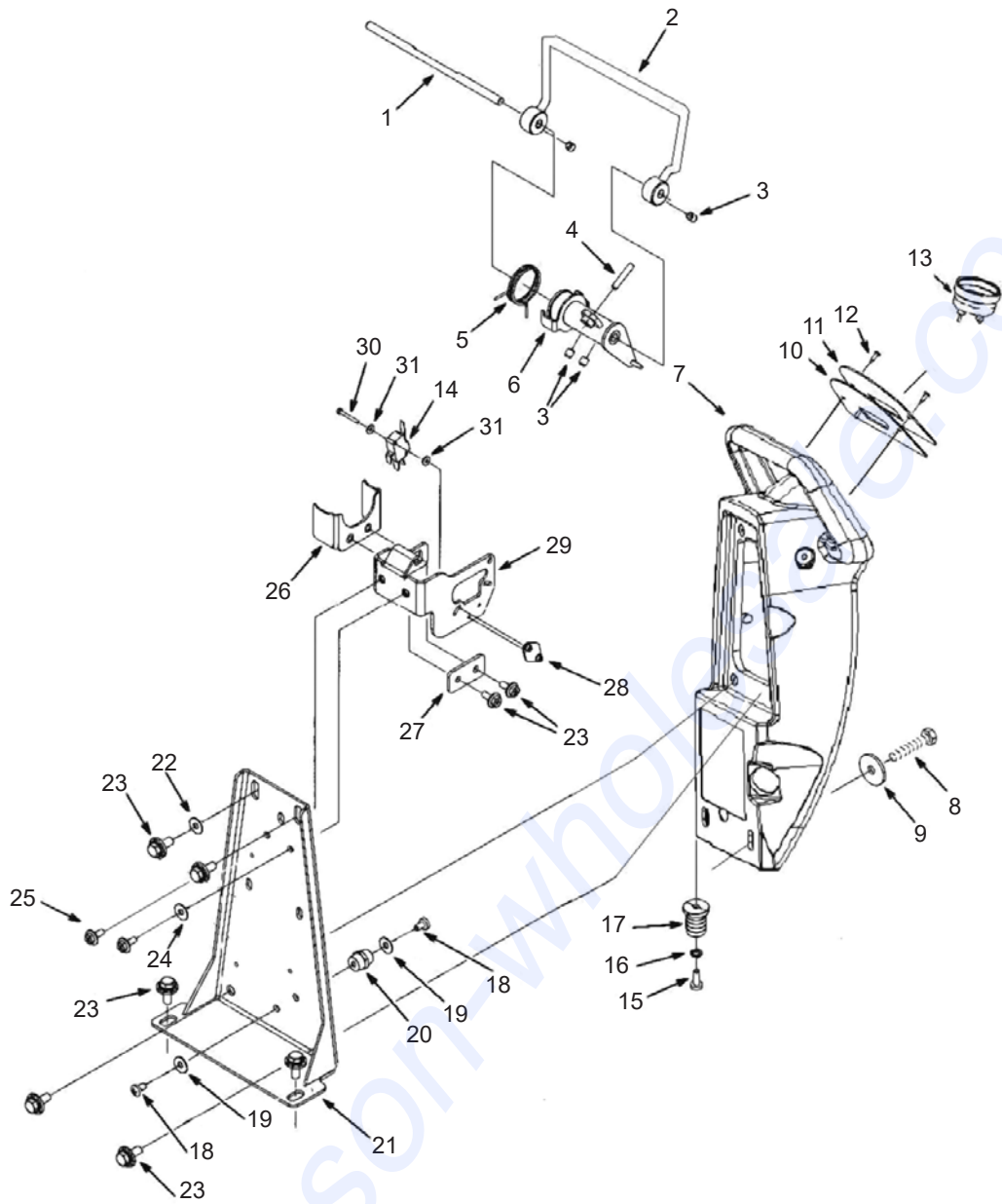
Item	Part No.	Description
1	W11020	Mounting Rod 6×118mm
2	W11021	Sleeve, 10mm×6mm×84mm
3	W10872	Vacuum Motor, 24V
4	W11022	Carbon Brush Kit
5	W11023	Rubber Pad
6	For Reference	Nut, M6
7	W11024	Clip
8	For Reference	Flat Washer, 6mm×18mm×1mm
9	W11025	Vibration Isolator
10	W11026	Mounting Plate, Motor
11	W11027	Noise Muffler
12	W11028	Hose Clamp



#### Fresh Water Tank Assembly

Item	Part No.	Description
1	W11029	Cover, Fresh Water Fill
2	W11030	Chain
3	For Reference	Screw, Phl, M4×10
4	For Reference	Washer M4
5	For Reference	Screw, Phl, M4×12
6	For Reference	Screw, Phl, M3×20
7	For Reference	Washer, M3
8	W11031	Filter Screen, Fresh Water Fill
9	W11032	Fresh Water Tank
10	W11033	Front Guard
11	For Reference	Screw, Hex, With Washer, M6×16
12	W11034	Cover, Fresh Water Hose Fill
13	For Reference	Washer M4
14	For Reference	Screw, M4×10
15	W11035	Hose Clamp
16	W11036	Water Fitting Joint
17	W11037	Sleeve
18	For Reference	Screw, M4×16
19	W11038	Bracket, Brush Lifting
20	W11039	Washer, Nylon

Item	Part No.	Description
21	W11040	Spring, Head Pressure
22	W11041	Handle Knob
23	W11042	Lever Arm, Brush Lifting
24	W11043	Sleeve
25	W11044	Spring
26	W11045	Nut, Connect Lifting Rod
27	For Reference	Screw, Hex, 20
28	For Reference	Washer, 8mm×22mm×2mm
29	For Reference	Screw, Phl, M5×12
30	For Reference	Washer, M4
31	W11046	Sleeve
32	W11047	Lever, Spring, Left
33	W11048	Lever, Spring, Right
34	For Reference	Nut, M5
35	For Reference	Nut, M6
36	W11049	Connector, Water Pipe
37	W11050	Hose - Water Level Indicator
38	W11051	Hose Clamp
39	W11052	Joint, Water Pipe

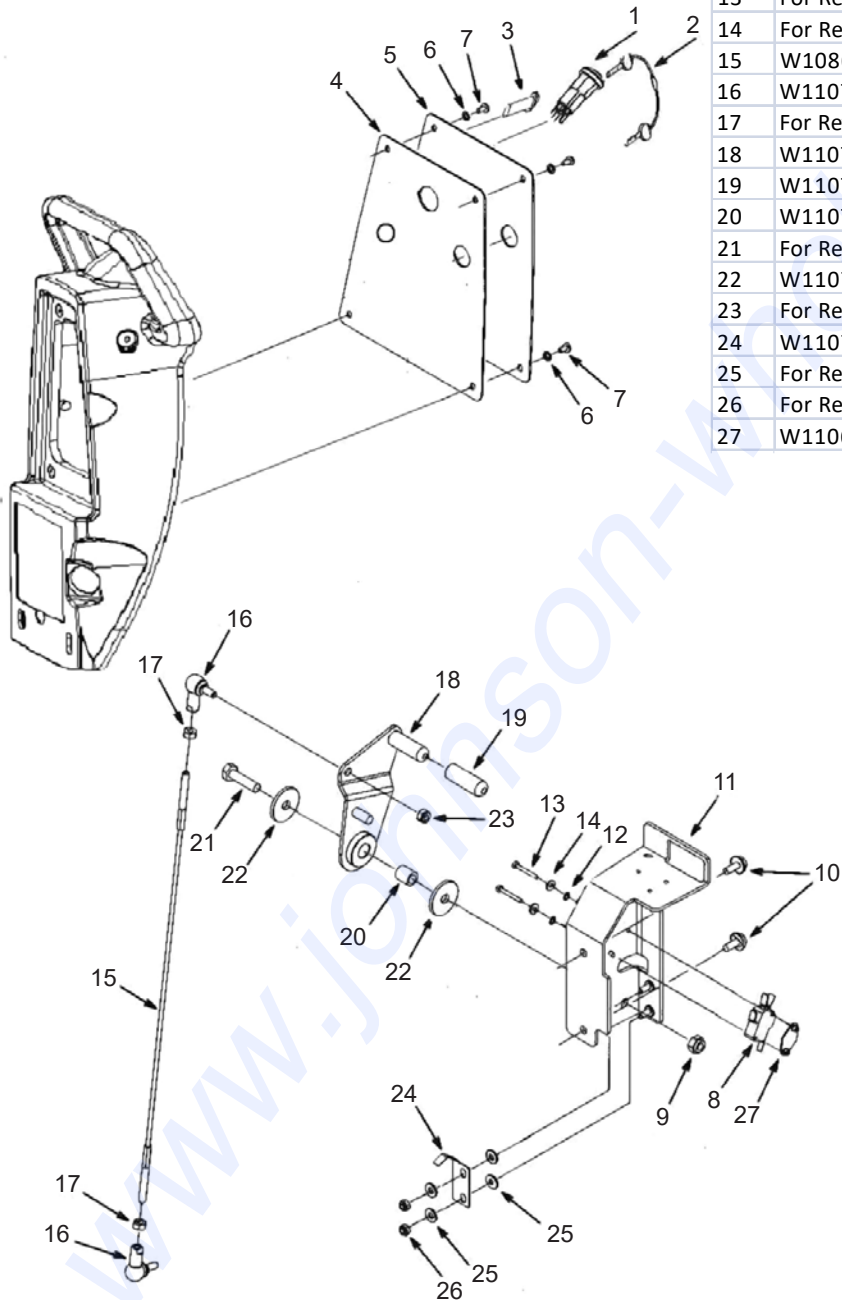


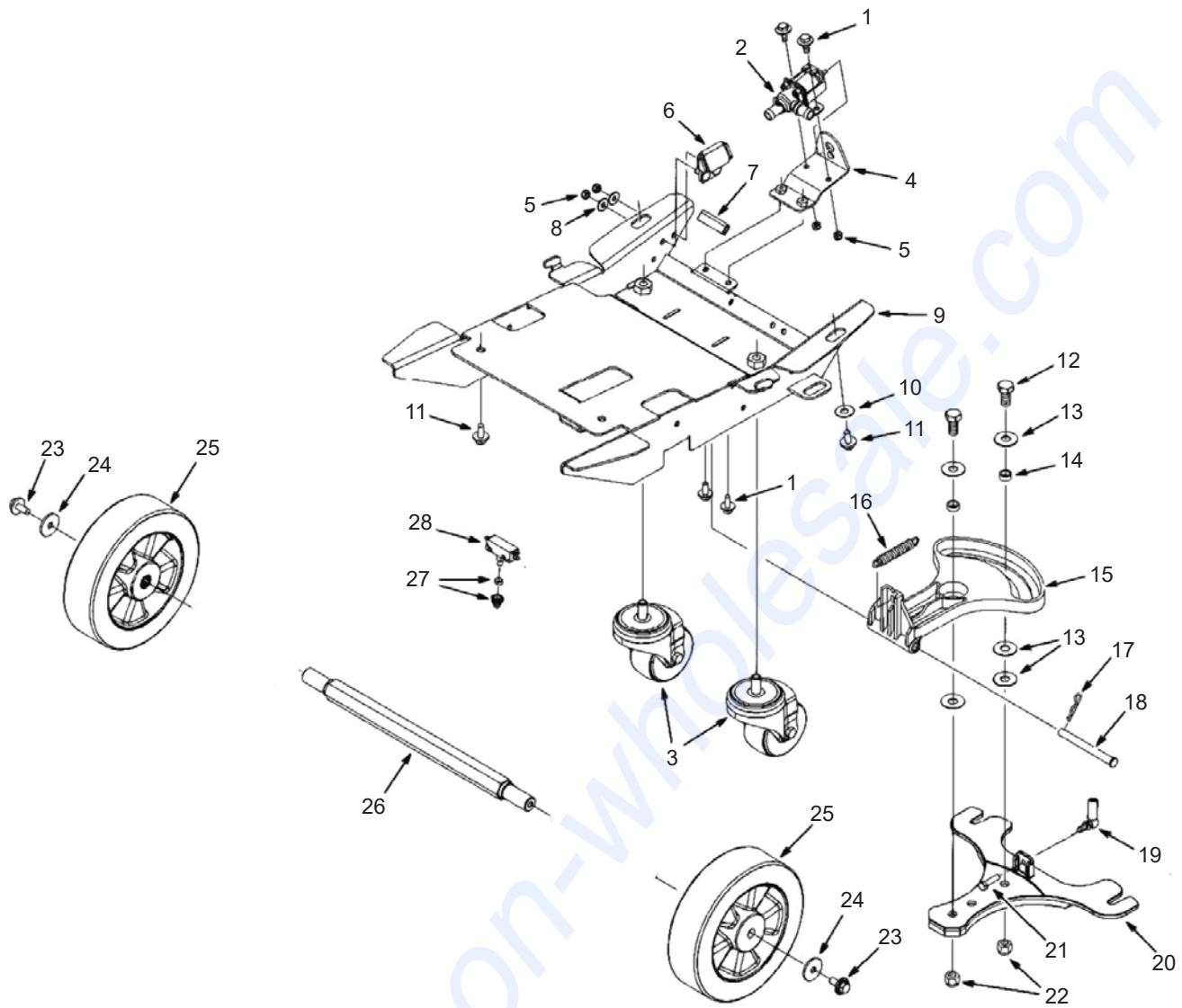
User Control Assembly		
Item	Part No.	Description
1	W11053	Axle, Engagement Lever
2	W11054	Handle, Engagement Lever
3	For Reference	Screw, M8x8
4	For Reference	Screw, M6x30
5	W11055	Spring
6	W11056	Rotating Switch Arm
7	W11057	Handle Body
8	For Reference	Screw, Hex, M8x35
9	For Reference	Flat Washer, 8mmx32mmx2.5mm
10	W11058	Panel, Control Board
11	W11059	Label, Panel
12	For Reference	Screw, M4x10
13	W10823	Hour & Battery Meter, Round
14	W11068	Micro Switch
15	For Reference	Screw, Hex, M6x16
16	For Reference	Nut, M6

Item	Part No.	Description
17	W11061	Joint, Pipe
18	For Reference	Screw, Phl, M6x10
19	For Reference	Washer, M6
20	W11062	Post Head
21	W11063	Bracket, Handle
22	For Reference	Washer, 6mmx24mmx3mm
23	For Reference	Screw, Hex, M8x20
24	For Reference	Flat Washer, 6mmx18mmx1mm
25	For Reference	Washer, Hex, M6x12
26	W11064	Bracket, Balancing
27	W11065	Mounting Plate
28	W11066	Locating Mechanism, Rhombus
29	W11067	Bracket, Protecting
30	For Reference	Screw, Phl, M3x30
31	For Reference	Gasket, M3

User Control Assembly (cont.)

Item	Part No.	Description
1	W10817	Key Switch, Including 2 Keys
2	W10853	Key, Main On/Off Switch
3	W10854	Overload Protector
4	W11069	Panel
5	W11070	Label, Panel
6	For Reference	Washer M4
7	For Reference	Screw, M4×10
8	W11068	Micro Switch
9	For Reference	Nut, M8
10	For Reference	Screw, Hex, With Washer, M6×16
11	W11071	Bracket, Squeegee Lift
12	For Reference	Washer, M3
13	For Reference	Screw, Phl, M3×20
14	For Reference	Washer M3
15	W10860	Steel Cable, 15", Threaded Ends M6×M6
16	W11072	Joint, Ball
17	For Reference	Screw, Hex, M6
18	W11073	Lever, Squeegee Lift
19	W11074	Sleeve, Handle Knob
20	W11075	Sleeve
21	For Reference	Screw, Hex, M8×30
22	W11076	Washer, Nylon
23	For Reference	Nut, M6
24	W11077	Spring Lever, Squeegee Lifting
25	For Reference	Washer, 5mm×13mm×1mm
26	For Reference	Nut, M5
27	W11066	Locating Mechanism, Rhombus

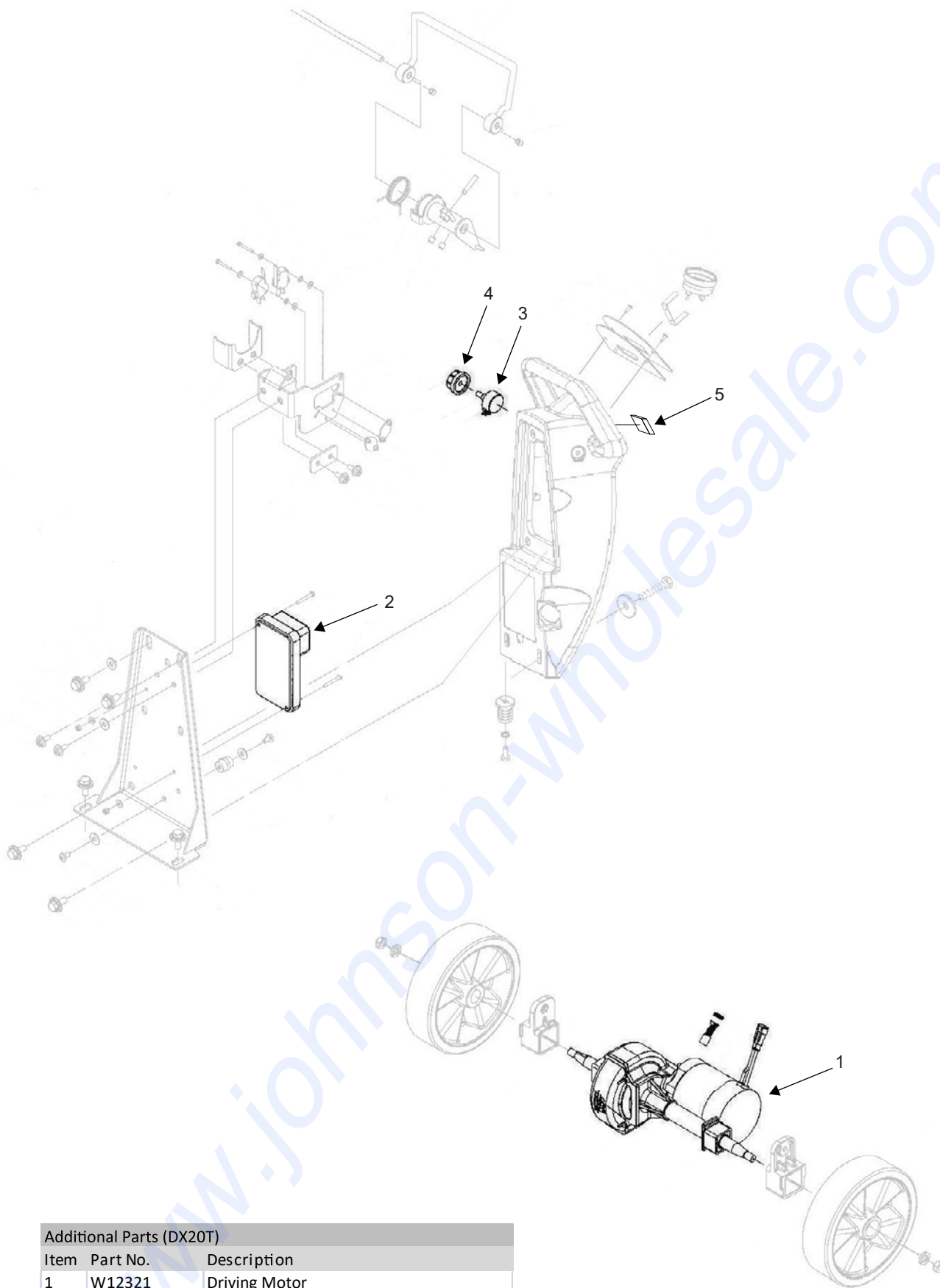




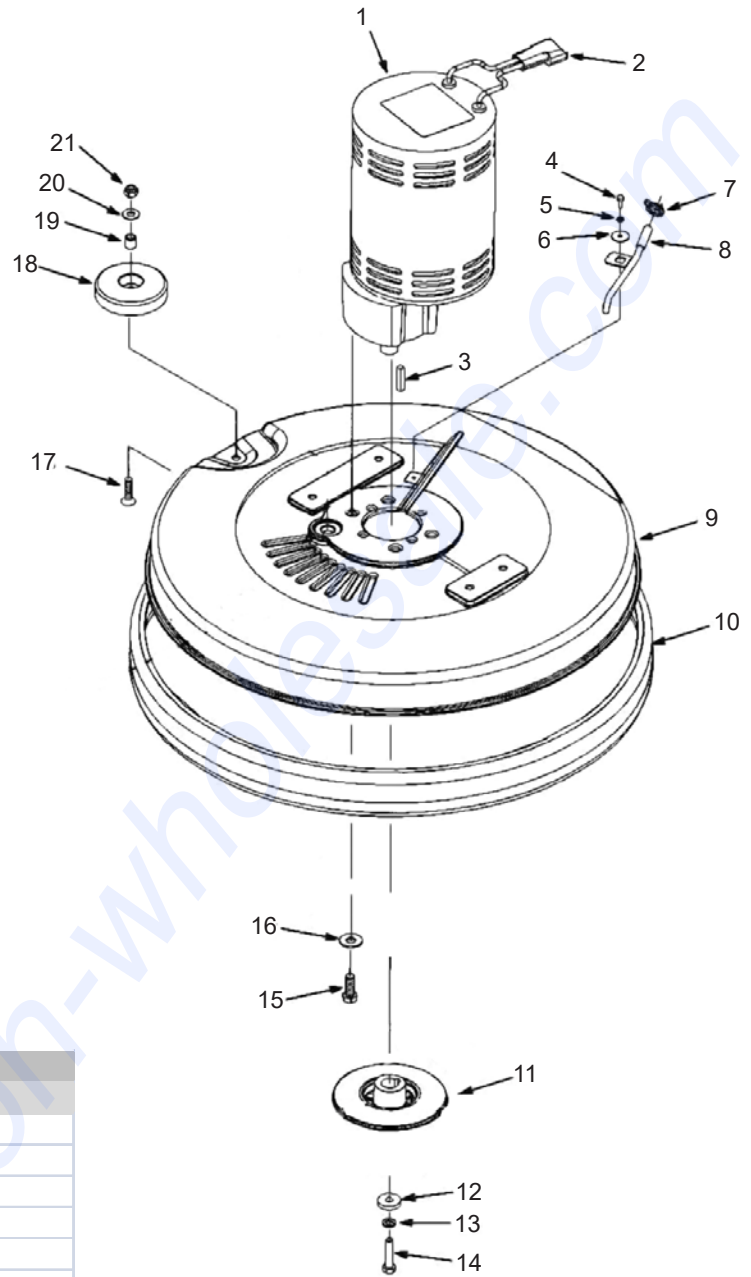
Frame Assembly		
Item	Part No.	Description
1	For Reference	Screw, Hex, With Washer, M6×16
2	W10818	Valve, Water Shut Off Solenoid
3	W10856	Swivel Caster, Machine Base 3"
4	W11078	Mounting Bracket, Valve
5	For Reference	Nut, M6
6	W11079	Locator, Head Lift
7	W11080	Protective Strip, Plastic
8	For Reference	Flat Washer, 6mm×14mm×1mm
9	W11081	Base Plate, Machine
10	For Reference	Flat Washer, 8mm×22mm×2mm
11	For Reference	Screw, Hex, M8×20
12	For Reference	Screw, Hex, M12×30
13	For Reference	Flat Washer, 12mm×27mm×2.5mm
14	W11082	Sleeve

Item	Part No.	Description
15	W11083	Bracket, Squeegee Pivot
16	W11084	Tension Spring, Squeegee
17	W11085	Hairpin Cotter Pin
18	W11086	Pin Axle
19	W11072	Joint, Ball
20	W11087	Bracket, Squeegee Mount
21	For Reference	Screw, Hex, M6×12
22	For Reference	Nut, Hex, M12
23	For Reference	Screw, Hex, M8×20
24	For Reference	Flat Washer, 8mm×32mm×2.5mm
25	W10855	Wheel, Main 8"
26	W11090	Wheel Axle
27	W11091	Cap With Screw, Water-Proofing
28	W11092	Switch

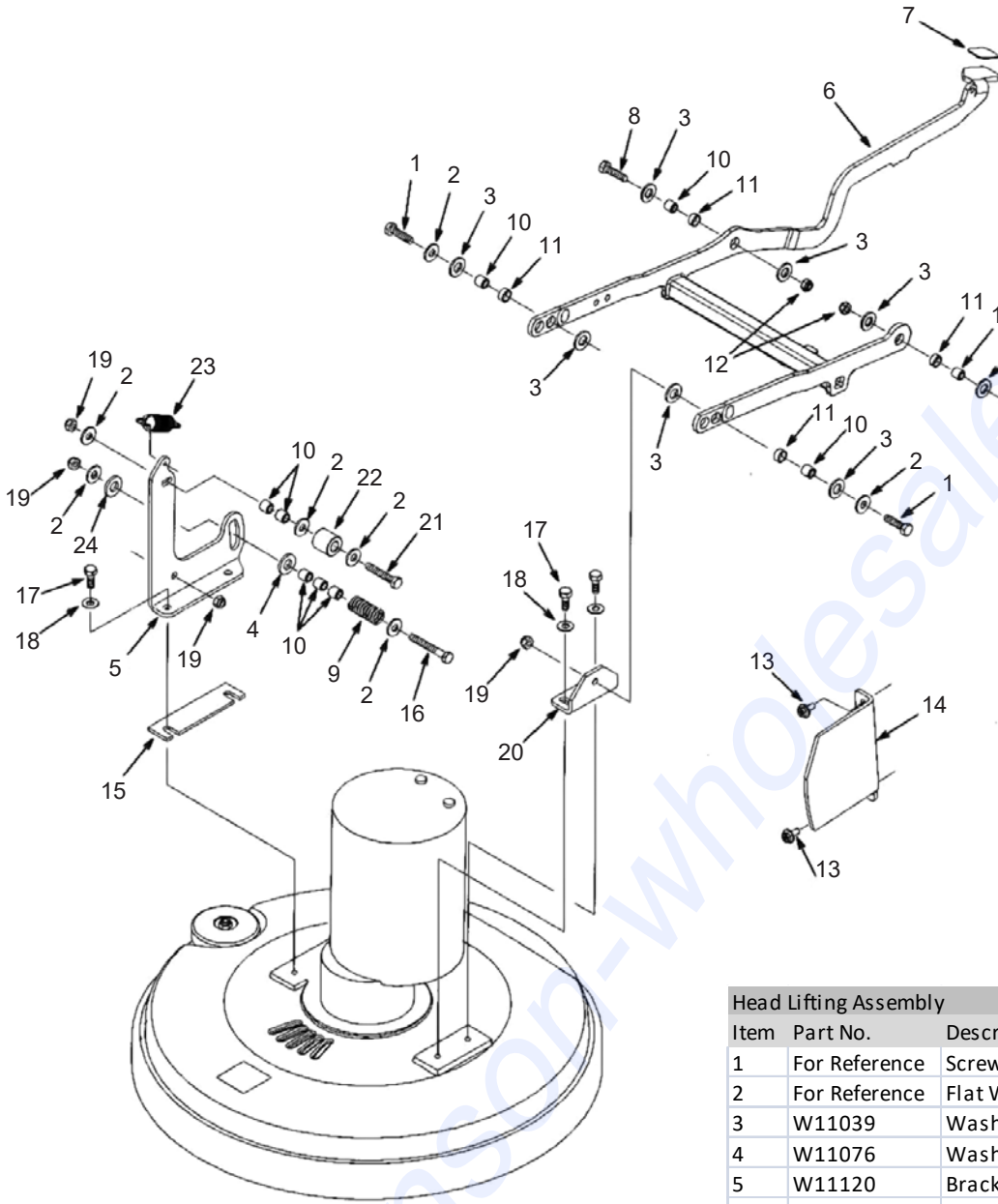




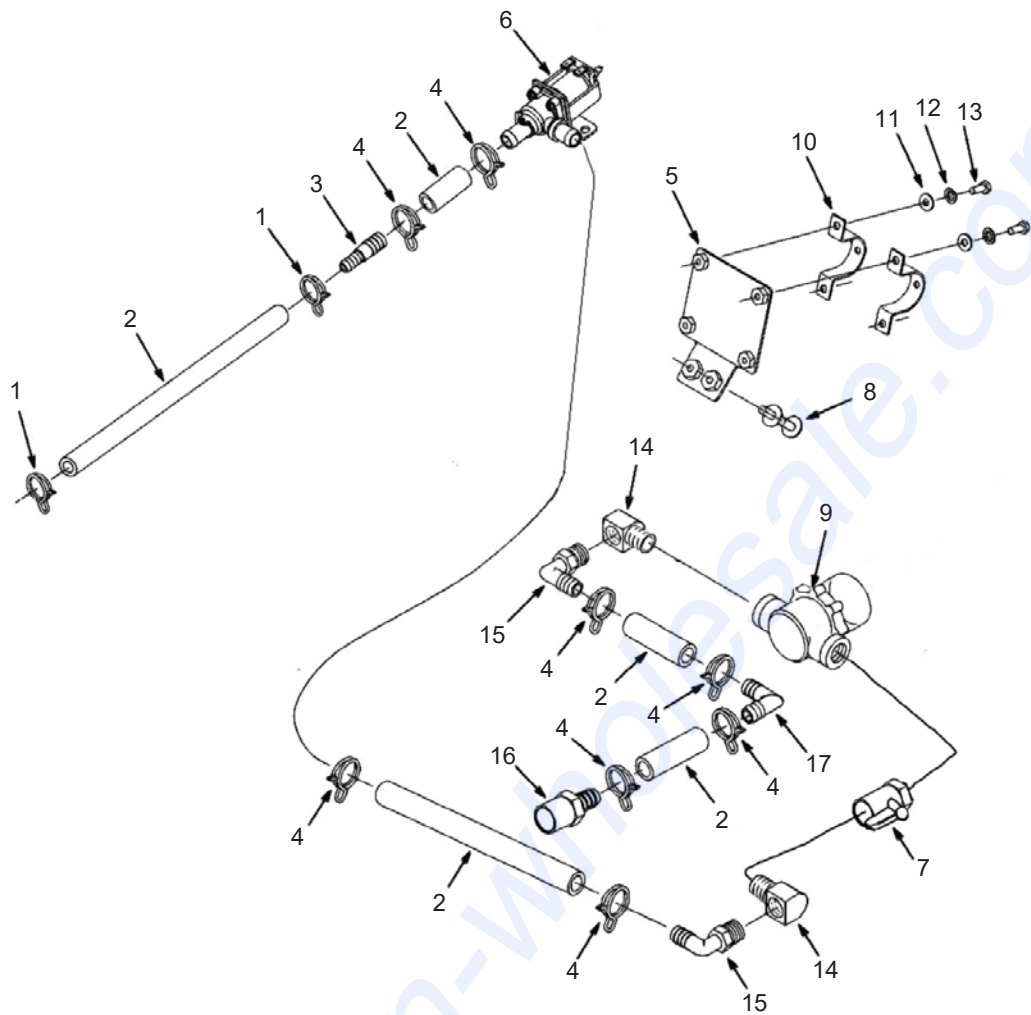
Additional Parts (DX20T)		
Item	Part No.	Description
1	W12321	Driving Motor
2	W12322	Control Box
3	W12323	Speed governor
4	W12324	Knob, speed adjusting
5	W12325	Reverse Switch



Head Assembly		
Item	Part No.	Description
1A	W11093	Motor, Head
1B	W11094	Carbon Brush Kit
2	W11096	Plug, Connector
3	W11097	Machine Key
4	For Reference	Screw, Phl, M4×10
5	For Reference	Washer, M4
6	For Reference	Flat Washer, 4mm×19mm×1mm
7	W11098	Hose Clamp
8	W11099	Water Pipe
9	W11104	Cover, 20" Head
10	W10868	Skirt, 20" Head
11	W10813	Triangle Driver
12	For Reference	Flat Washer, 8mm×25mm×1mm
13	For Reference	Split Lock Washer, M8
14	For Reference	Bolt, M8
15	For Reference	Screw, 5/16-18*1-3/8
16	For Reference	Flat Washer, 8mm×32mm×2.5mm
17	For Reference	Screw, M8×30
18	W10845	Bumper Wheel
19	W11137	Sleeve
20	For Reference	Flat Washer, 8mm×25mm×3mm
21	For Reference	Nut, M8



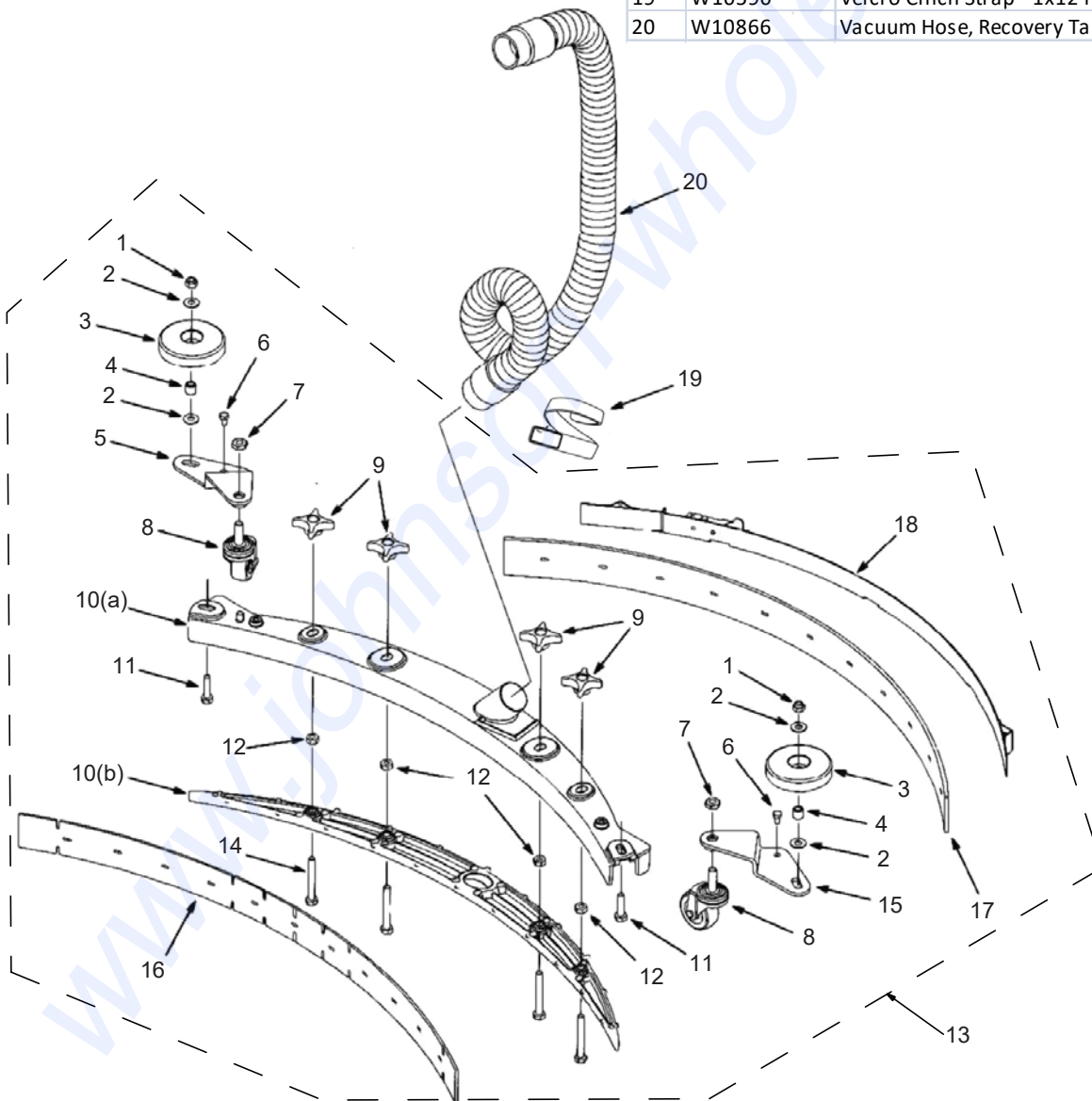
Head Lifting Assembly		
Item	Part No.	Description
1	For Reference	Screw, Hex, M8×30
2	For Reference	Flat Washer, 8mm×22mm×2mm
3	W11039	Washer, Nylon
4	W11076	Washer, Nylon
5	W11120	Bracket, Head Lift
6	W11110	Lever, Head Lift
7	W11111	Foot Pad
8	For Reference	Screw, Hex, M8×30
9	W11112	Spring
10	W11113	Sleeve
11	W11114	Sleeve
12	For Reference	Nut, Hex, M8
13	For Reference	Screw, Phl, M6×16
14	W11115	Bracket, Base Plate Lifting
15	W11116	Shim, Double
16	For Reference	Screw, Hex, M8×55
17	For Reference	Screw, Hex, M8×25
18	For Reference	Flat Washer, 8mm×25mm×3mm
19	For Reference	Nut, Hex, M8
20	W11117	Bracket
21	For Reference	Screw, Hex, M8×45
22	W11118	Roller
23	W11119	Spring

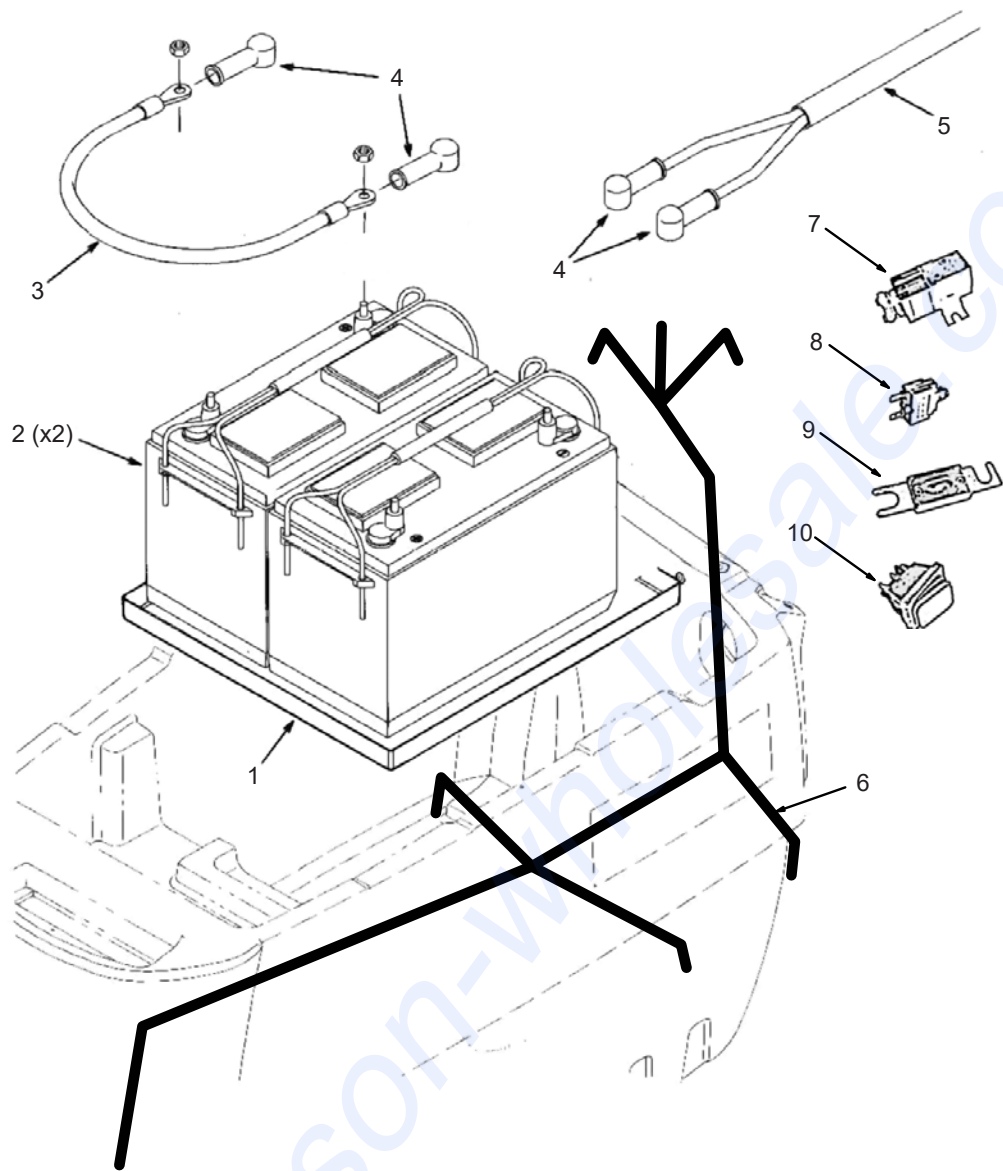


#### Water Components

Item	Part No.	Description
1	W11098	Hose Clamp
2	W11121	Hose
3	W11122	Barb Union
4	W11098	Hose Clamp
5	W11135	Mounting Bracket, Valve
6	W10818	Valve, Water Shut Off Solenoid
7	W11124	Quarter Turn Ball Valve
8	For Reference	Screw, Hex, M6×12
9	W10869	Inline Water Filter Assembly
10	W11136	Bracket, U Shape
11	For Reference	Flat Washer M5
12	For Reference	Lock Washer M5
13	For Reference	Screw, Phl, M5×12
14	W11129	Joint
15	W11130	Joint
16	W11132	Joint
17	W11134	Joint

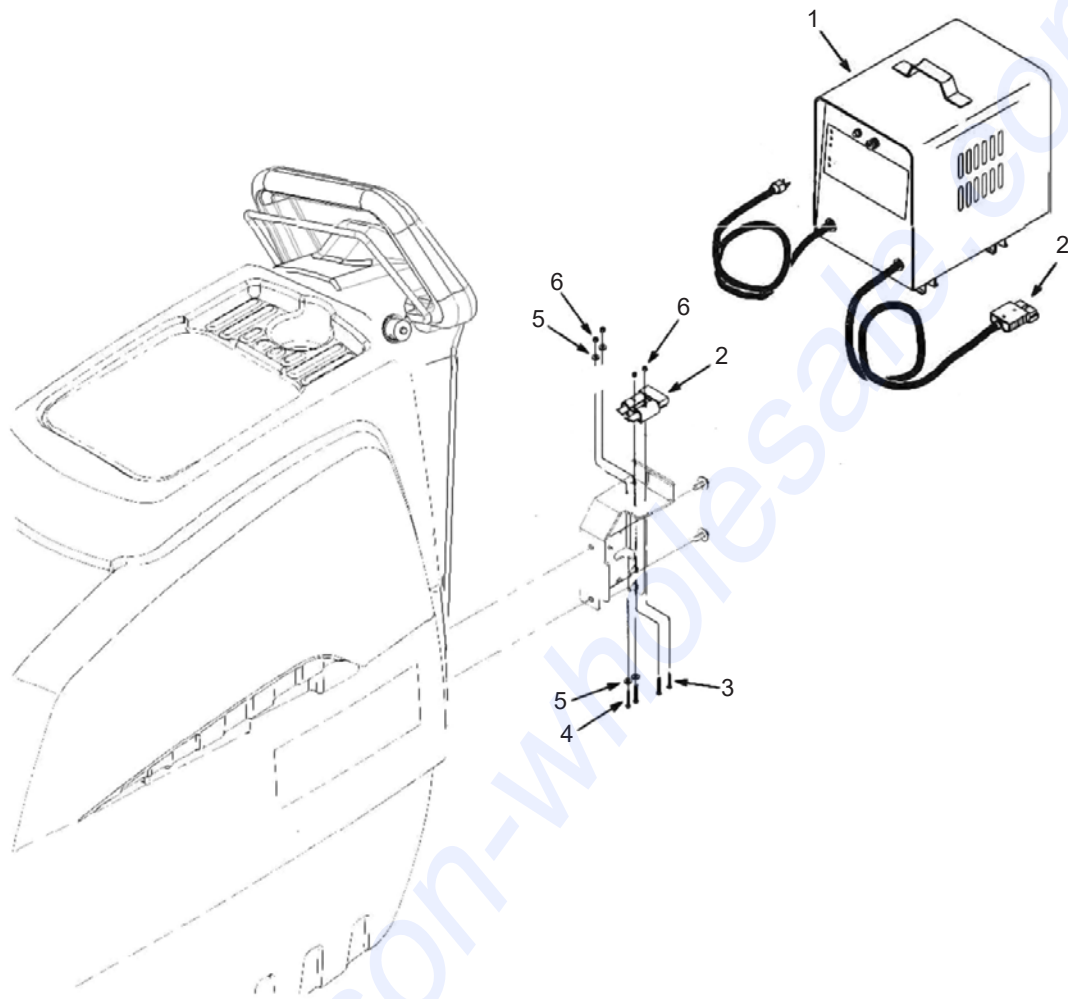
Squeegee Assembly		
Item	Part No.	Description
1	For Reference	Nut, M8
2	For Reference	Flat Washer, 8mm×25mm×3mm
3	W10845	Bumper Wheel
4	W11137	Sleeve
5	W11138	Metal Plate, Fixing Squeegee, Left
6	For Reference	Screw, Hex, With Washer, M6×16
7	For Reference	Nut, Hex, M10
8	W10870	Swivel Caster, Squeegee
9	W11139	Wing Nut Knob, Star
10	W11140	Squeegee Main Body
11	For Reference	Screw, Hex, M8×30
12	For Reference	Nut, Hex, M8
13	W10889	Squeegee Assembly
14	For Reference	Screw, Hex, M8×55
15	W11142	Metal Plate, Fixing Squeegee, Right
16	W10863	Squeegee Blade - Front 32"
17	W10864	Squeegee Blade - Rear 32"
18	W11143	Squeegee Tightening Clamp Assy
19	W10590	Velcro Cinch Strap - 1x12 in.
20	W10866	Vacuum Hose, Recovery Tank





#### Electrical Components

Item	Part No.	Description
1	W11144	Tray, Battery
2	W10890	Battery - 12V
3	W11145	Cable, Battery Series Connection
4	W11146	Boot
5	W11147	Cable, Battery Charge
6	W11163	Complete Wiring Harness, DX20
7	W10815	24V Relay / Contactor
8	W10816-5A	Circuit Breaker, 5A
8	W10816-10A	Circuit Breaker, 10A
8	W10816-20A	Circuit Breaker, 20A
8	W10816-40A	Circuit Breaker, 40A
9	W10819-80A	Fuse, 80A
9	W10819-150A	Fuse, 150A
10	W10840	Toggle Switch



Charging System		
Item	Part No.	Description
1	W10884	Battery Charger - 24V DX20
2	W10858	Charger Socket Housing
3	For Reference	Screw, M4×30
4	For Reference	Screw, M4×20
5	For Reference	Washer, M4
6	For Reference	Nut, M4